



Top Rated Product

  
4.5  
★★★★★

verified by Trustindex 

# Assembly instructions

Activity toys to be assembled by adults for outdoor domestic use.

## Montageanleitung

Aktivitätsspielzeug zum Selbstaufbau für den häuslichen Außenbereich.

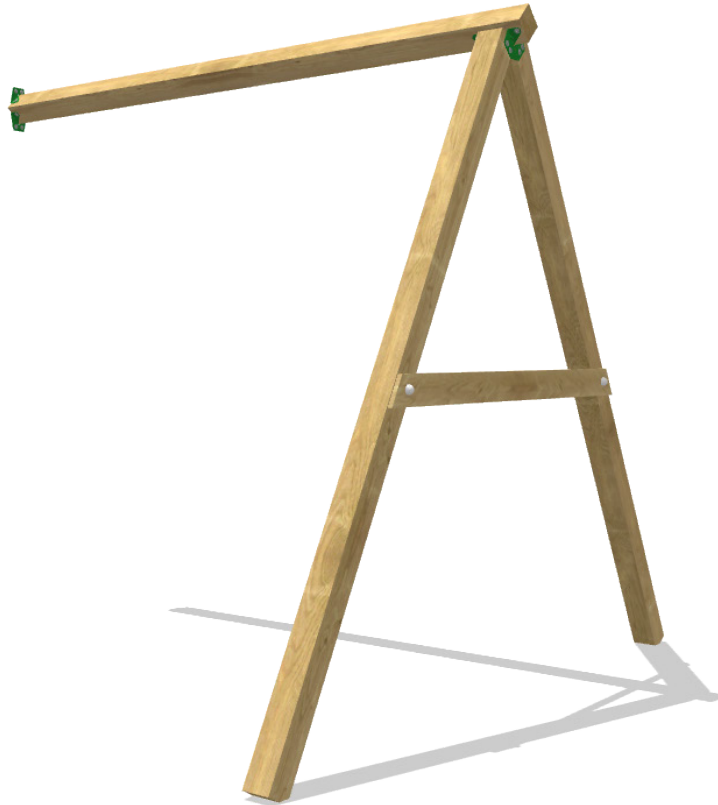
## Instructions de montage

Jouet d'activité à assembler pour une utilisation familial en extérieur

# 2 PART



00\_assembly\_instructions

Design Code : dEDqAh  
Article Number : 211438  
Product Name : 2-Swing Module 220 Extra - 3.0  
Audit ID : 850\_177



Manual ID: 040\_185\_2811

3D | 360° View






Scan | Click

# Jungle Gym

BACKYARD PLAYGROUNDS

since 1988

Assembly time ca.  
  
1.0  
hours  
by 2 adults

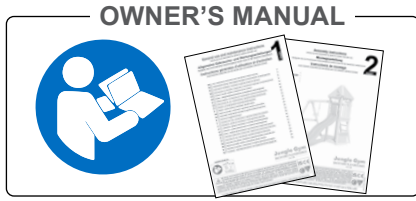
 **EN.** Warning! Only for domestic use. Maximum number of users is **2**. **DE.** Achtung! Nur für den Hausgebrauch. Maximale Benutzerzahl: **2**. **FR.** Attention! Réserve à un usage familial. Le nombre maximal d'utilisateurs est de **2**. **BG.** Внимание! За употреба само в домашни условия. Максималният брой потребители е **2**. **CS.** Varování! Jen pro domácí použití. Maximální počet uživatelů je **2**. **DA.** Advarsler! Kun til privat brug. Maksimum antal brugere er **2**. **EL.** Προειδοποίησης! Μόνο για οικιακή χρήση. Μέγιστος αριθμός χρηστών **2**. **ES.** Advertencias! Sólo para uso doméstico. Número máximo de usuarios: **2**. **ET.** Hoiatused! Ainult koduseks kasutamiseks. Maksimaalne kasutajate arv on **2**. **FI.** Varoitukset! Ainoastaan kotikäyttöön. Käyttäjää yhteensä enintään **2**. **HR.** Upozorenja! Samo za uporabu u domu. Maksimalan broj korisnika je **2**. **HU.** Figyelmeztetések! Csak otthoni használatra! A használók max. száma: **2**. **IS.** Varnaðaroró! Eingöngu fyrir einkanotkun í heimahúsum og á einkalóum. Hámarksfjöldi notenda er **2**. **IT.** Avvertenze! Solo per uso domestico. Massimo numero di utenti è **2**. **LT.** Dėmesio! Tik buitiniam naudojimui. Maksimalus naudotojų skaičius **2**. **LV.** Brīdinājumi. Izmantot tikai mājās. Maksimālais lietotāju skaits ir **2**. **NL.** Waarschuwing! Uitsluitend voor huishoudelijk gebruik. Het maximale aantal gebruikers is **2**. **NO.** Advarsler! Kun for privat bruk. Maksimalt antall brukere er **2**. **PL.** Ostrzeżenia! Wyłącznie do użytku domowego. Maksymalna liczba użytkowników to **2**. **PT.** Avisos! Apenas para uso doméstico. O número máximo de utilizadores é **2**. **RO.** Avertismente! Numai pentru uz domestic. Numărul maxim de utilizatori este **2**. **SK.** Upozornenia! Iba na domáce použítie. Maximálne množstvo osôb je **2**. **SL.** Opozorila! Samo za domačo uporabo. Maksimalno število uporabnikov je **2**. **SV.** Varningar! Endast för hemmabruk. Det maximala antalet användare är **2**.



# Safety symbols Sicherheitssymbole Symboles de sécurité



**Important:** Before assembling and using this product, please carefully read the provided Use- and maintenance instructions (Part 1) and assembly instructions (Part 2) thoroughly.

**Wichtig:** Lesen Sie vor der Montage und Benutzung dieses Produkts die beiliegende Gebrauchs- und Wartungsanweisungen (Teil 1) und die Montageanleitung (Teil 2) sorgfältig durch.

**Important:** Avant de monter et d'utiliser ce produit, veuillez lire attentivement. Conseils d'utilisation et d'entretien (Partie 1) et les instructions de montage (Partie 2).



**Mandatory provisions**  
Gebotsbestimmungen  
Dispositions obligatoires



1-5 **Warnings!**  
Achtung!  
Attention!



1-12 **Potential hazards**  
Potenzielle Gefahren  
Dangers potentiels



1-7 **Installation and safety notices**  
Installations- und Sicherheitshinweise  
Instructions d'installation et de sécurité



1-14 **Assembly and safety notices**  
Montage- und Sicherheitshinweise  
Instructions de montage et de sécurité



1-7 **Safe play instructions and safety notices**  
Sichere Spielanweisungen und Sicherheitswarnungen  
Consignes de jeu sécurisé et avis de sécurité



## Customer service Kundendienst Service client



 [Frequently Asked Questions](#)

 [Häufig gestellte Fragen](#)

 [Foire aux questions](#)

 [Veelgestelde Vragen](#)



 EU +31 85 44 44 102 \*

[info@junglegym.com](mailto:info@junglegym.com)

[www.junglegym.com](http://www.junglegym.com)

[instagram.com/junglegymofficial](https://www.instagram.com/junglegymofficial)

\* International phone charges may apply.

**Availability:**

**Monday – Thursday:**

CET 09:00 AM – 04:00 PM

**Friday:**

CET 09:00 AM – 01:00 PM



# Preparation Vorbereitung Préparation



**Complete composition and delivery overview**  
**Vollständige Zusammensetzung und Lieferübersicht**  
**Aperçu complet de la composition et de la livraison**



OR



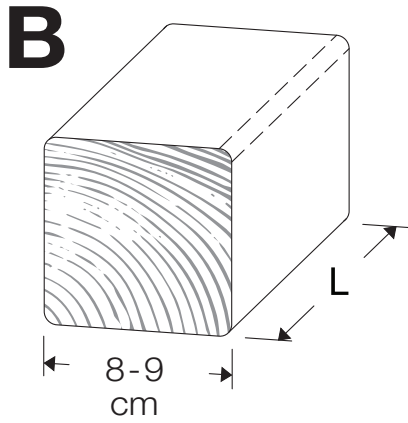
To avoid danger of suffocation, please keep the bag away from children.  
 Um Erstickungsgefahr zu vermeiden, halten Sie die Tüte bitte von Kindern fern.  
 Pour éviter tout risque d'étouffement, gardez le sac hors de portée des enfants.

Choking hazard – may not be suitable for children under 3 years.  
 Erstickungsgefahr – möglicherweise nicht geeignet für Kinder unter 3 Jahren.  
 Risque d'étouffement – peut ne pas convenir aux enfants de moins de 3 ans.

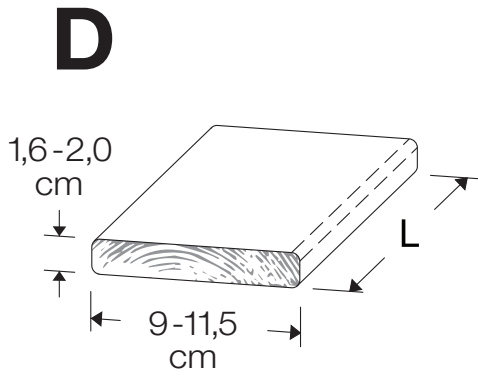


#	Sub-assembly ID	Description	FFC ID
1	457_103	AP Swing Module 3.0 (Swing Module)	857_177

Timber parts list  
 Stückliste Holzteile  
 Liste des pièces en bois



B240	239 cm - 240 cm	3
------	-----------------	---



D141	140 cm - 141 cm	2
------	-----------------	---

**Hardware kit, pack and/or accessory registration**  
**Registrierung von Hardware-Kits, Paketen und/oder Zubehör**  
**Enregistrement du kit matériel, du pack et/ou des accessoires**

Article №: + LOT ID:



OR

LOT ID:




Example

	№:						LOT:			
	1	2	3	4	5	6	2	7	1	1
1.										
2.										
3.										
4.										

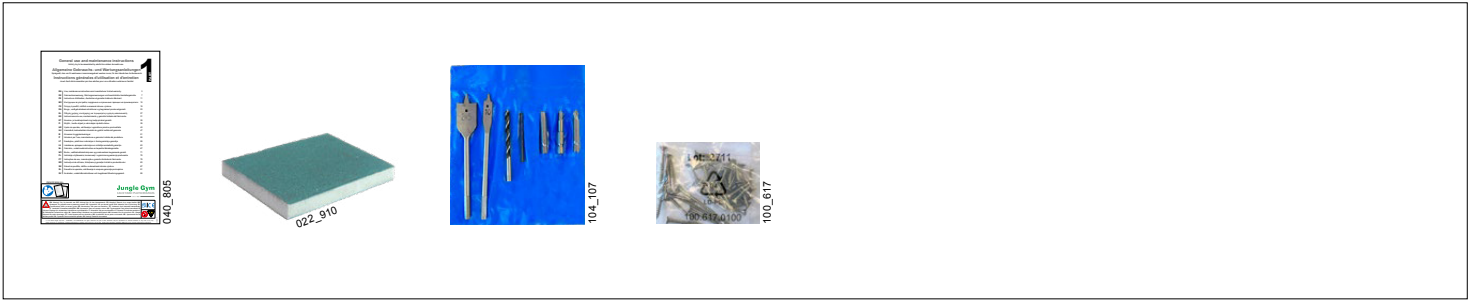
Example

LOT:									
AP Manual & Accessory set									
AC									
№ 194_119									
1x									
LOT: 2 7 1 1									

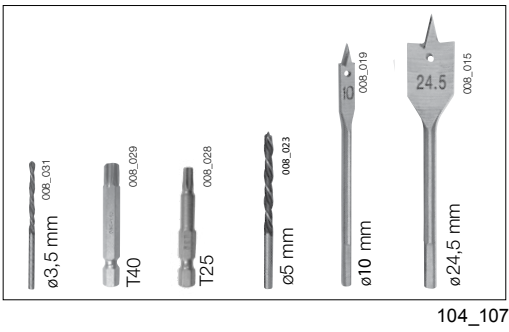
Hardware package and accessory registration  
 Hardwarebeutel- und Zubehörregistrierung  
 Enregistrement du sachet de quincaillerie et des accessoires

<p>Swing Module Kit</p>  <p><b>SW</b></p> <p>Nº 457_103</p> <p><b>1x</b></p> <p>LOT: <input type="checkbox"/> <input type="checkbox"/> <input type="checkbox"/> <input type="checkbox"/></p>				
---	--	--	--	--

**Standard Scope of Delivery**  
**Standard-Lieferumfang**  
**Contenu Standard de la Livraison**



**Overview bit and drill bit references**  
**Bit-Übersicht und Bohrer-Referenzen**  
**Aperçu des embouts et références de forets**



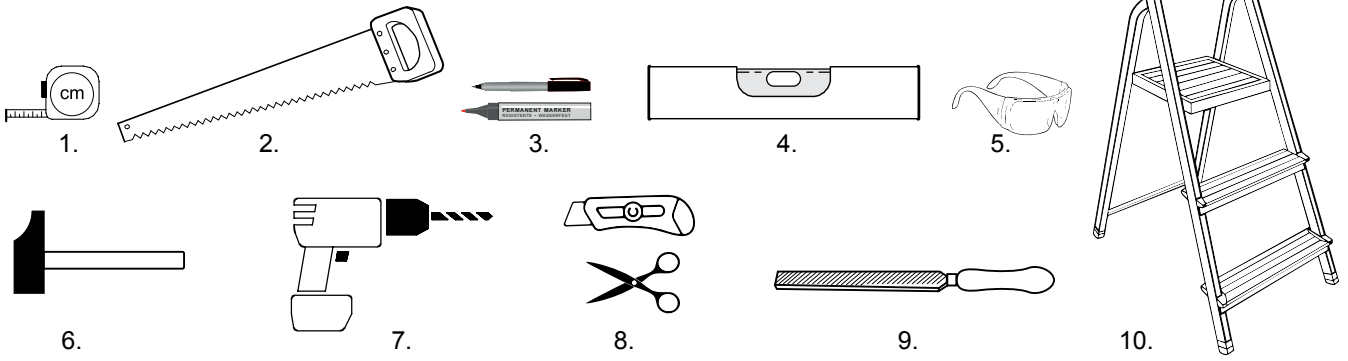
**Overview of all hardware and part references for identification**  
**Übersicht über alle Hardware- und Teile-Referenzen zur Identifizierung**  
**Aperçu de toutes les références de matériel et de pièces pour identification**

		#	L
 ø 5 T-40	 ø 8.0 mm L	001_404	30 mm
		001_406	45 mm
		001_411	60 mm
		001_417	80 mm
		001_422	137 mm
 ø10 T-40	 M8 L	001_102	30 mm
 ø3.5 T-25	 ø 2.0 mm L	000_101	20 mm
 ø3.5 T-25	 ø 6.3 mm L	002_036	16 mm
 ø3.5 PH-2	 ø 4.5 mm L	002_041	20 mm
 PH-2	 ø 3.5 mm L	002_042	13 mm
 PH-2	 ø 3.9 mm L	002_301	40 mm

		#	L
 ø3.5 T-25	 ø 5.0 mm L	002_308	20 mm
		002_219	30 mm
		002_220	45 mm
		002_223	80 mm
 ø10 T-40	 M8 L	004_050	22mm
	 M8	003_010	
	 M6	003_034	
		022_845	Yellow
		022_846	Blue
	 ø 3.5 mm L	022_847	Green
		022_848	Red
	 ø 3.5 mm L	023_031	White
	 ø 3.9 mm L	120_005	White
	 022_844	 022_314	



# Required tools Benötigtes Werkzeug Outils nécessaires





# Installation and safety notices

## Installations- und Sicherheitshinweise

## Instructions d'installation et de sécurité

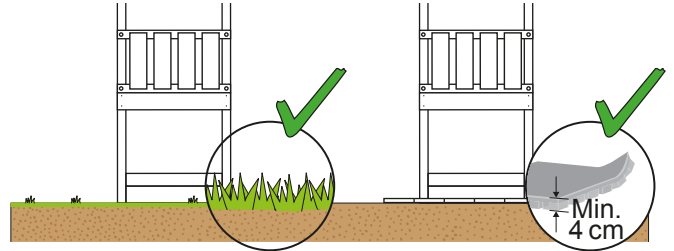
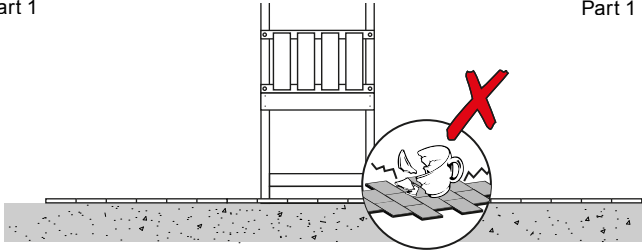


Part 1



6

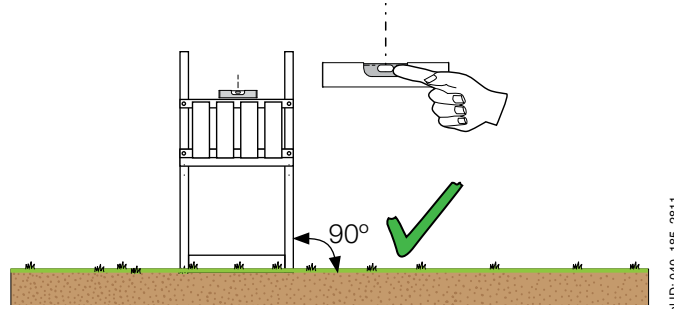
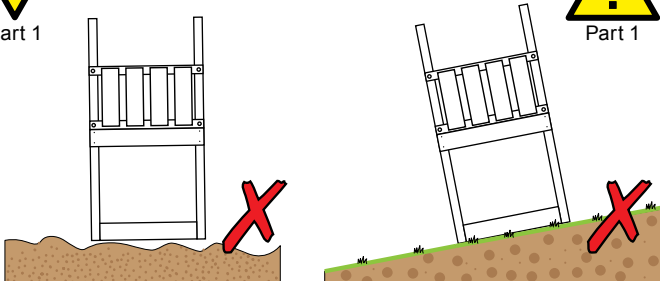
Part 1



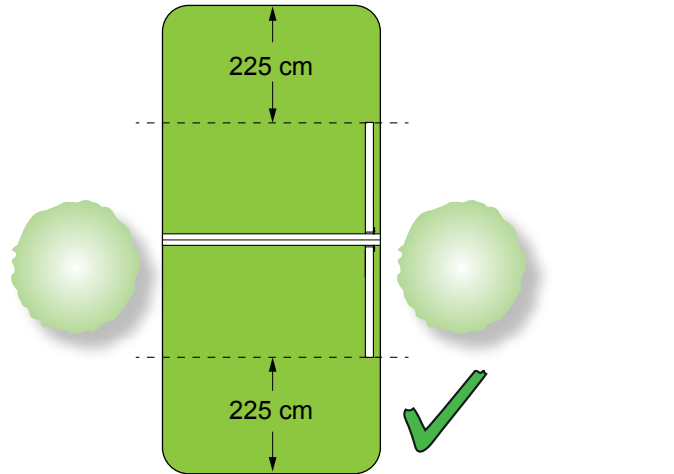
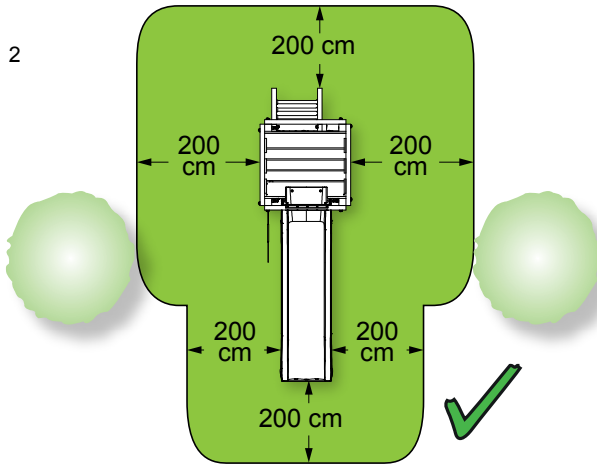
Part 1



Part 1



Part 1

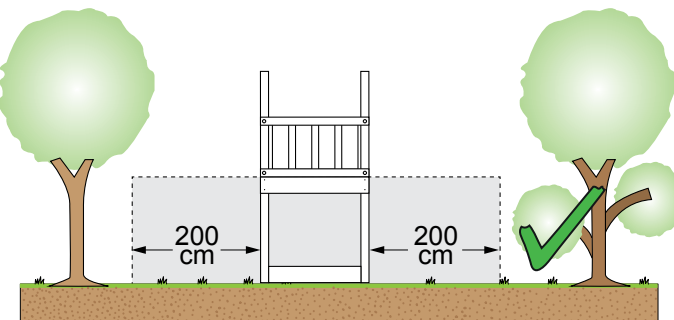
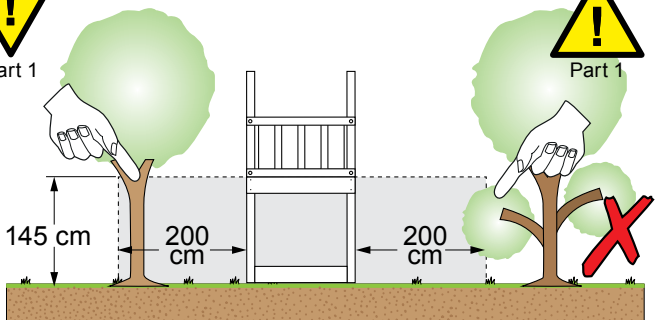


Part 1



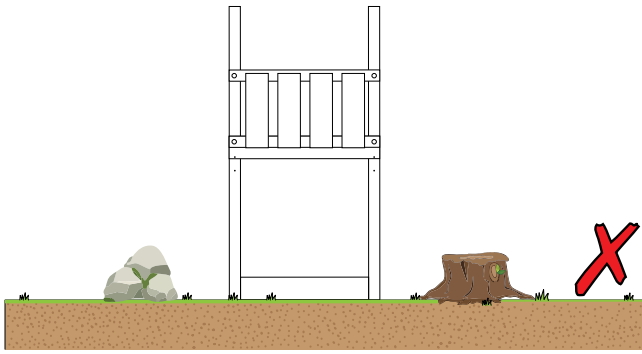
Part 1

3 & 6

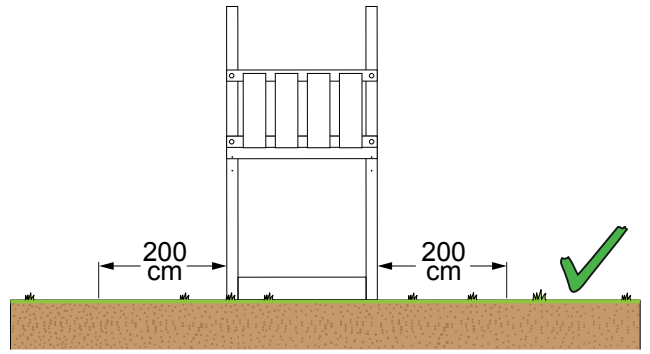




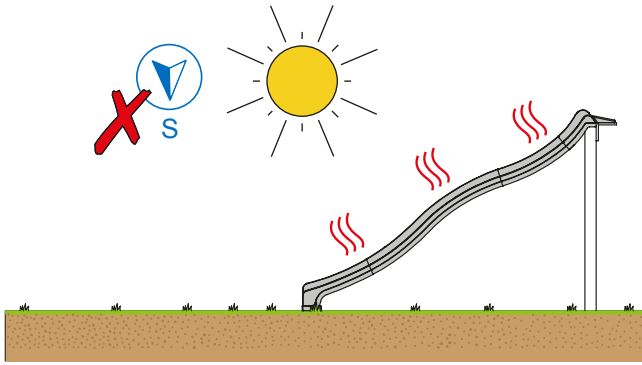
Part 1



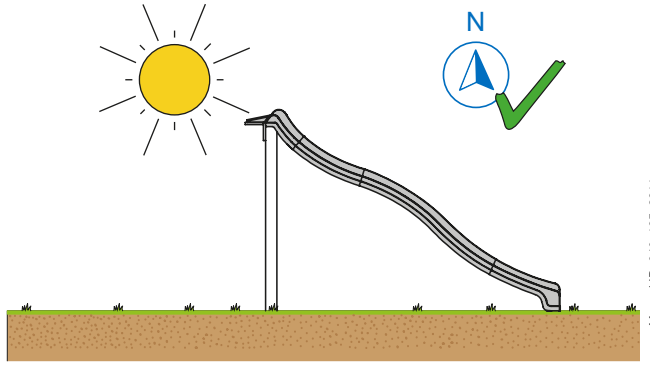
Part 1



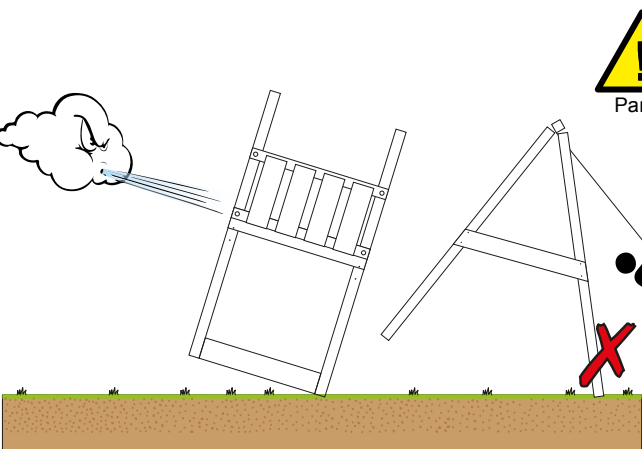
Part 1



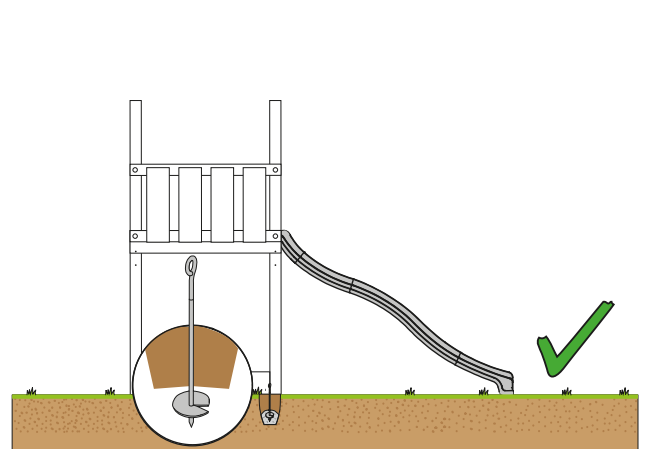
Part 1



Part 1



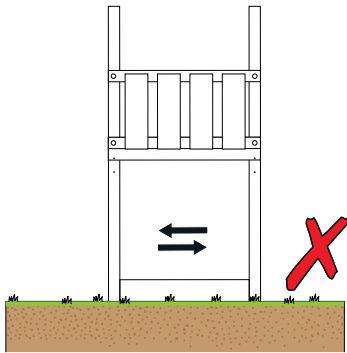
Part 1



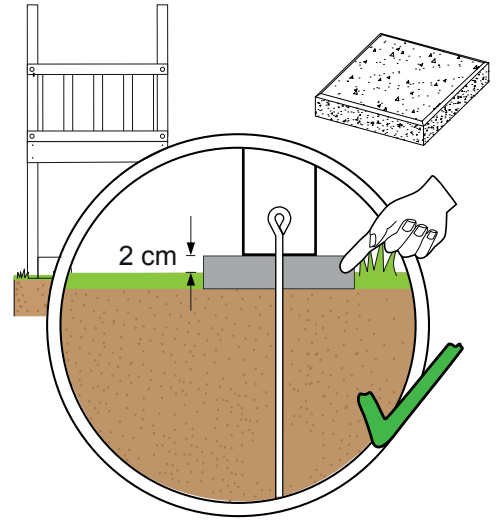
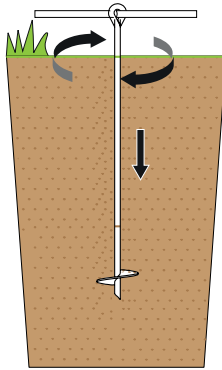
Manual ID: 040\_185\_2811



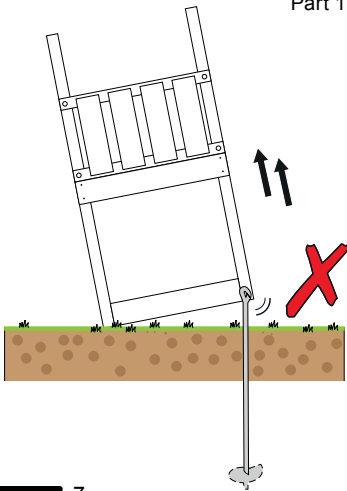
Part 1



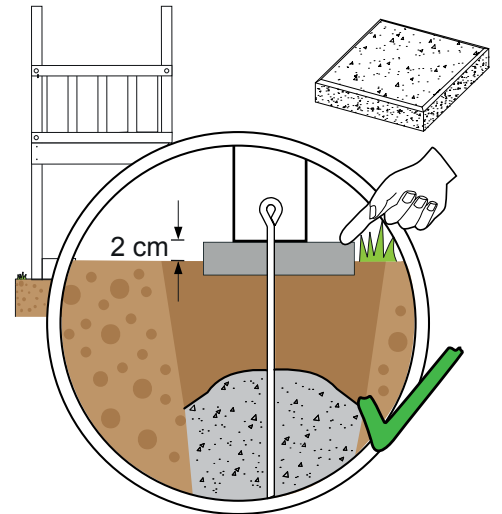
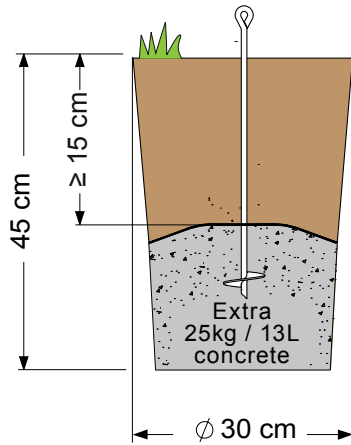
Part 1



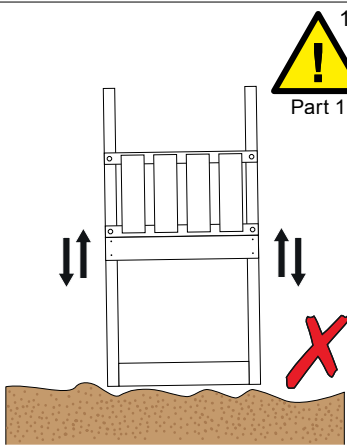
Part 1



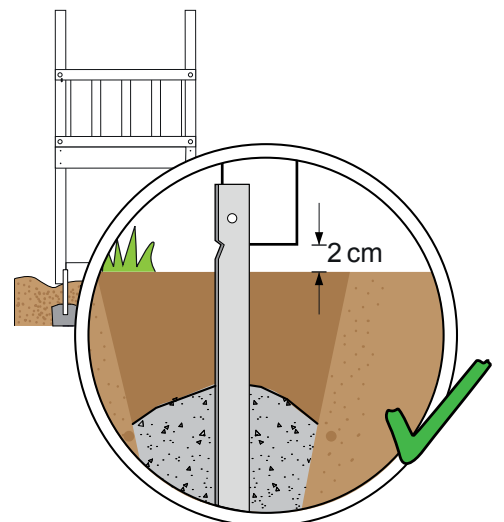
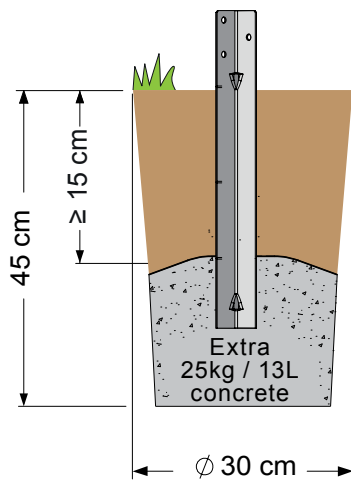
Part 1



Part 1



Part 1



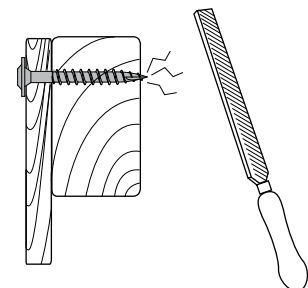
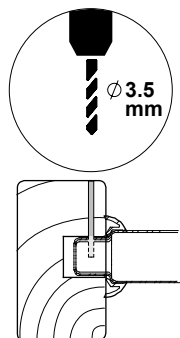
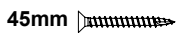
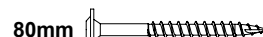
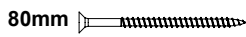
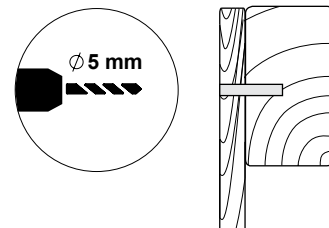
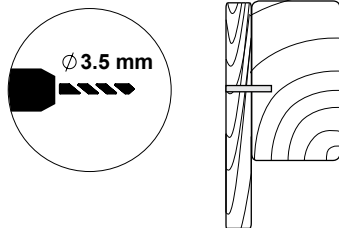
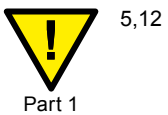
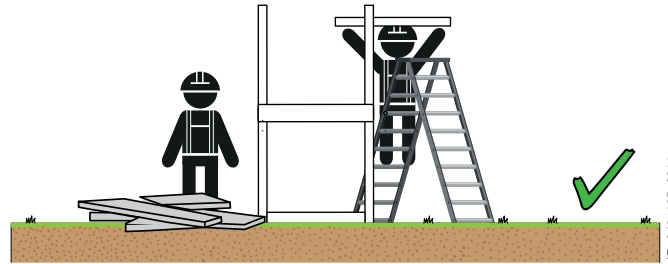
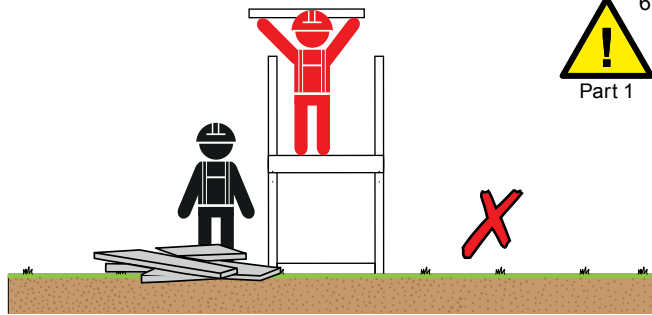
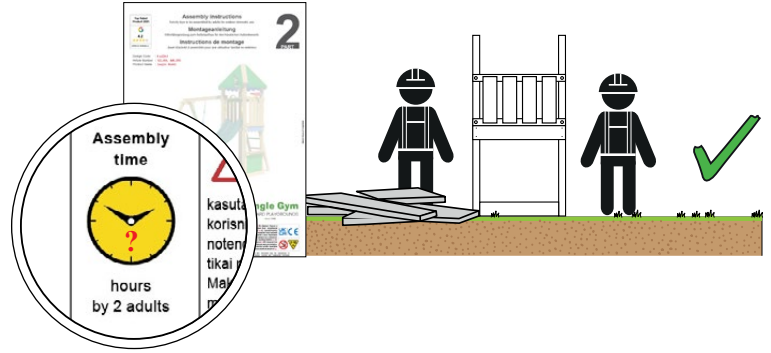
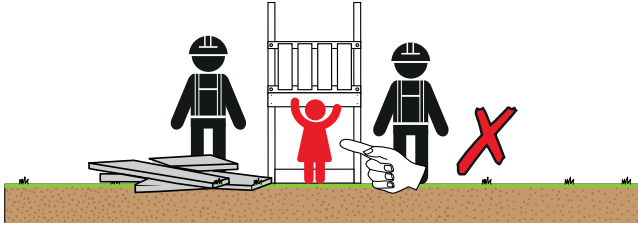
### Optional: Post anchors



# Assembly and safety notices

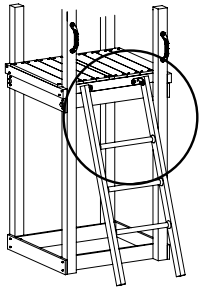
## Montage- und Sicherheitshinweise

### Instructions de montage et de sécurité

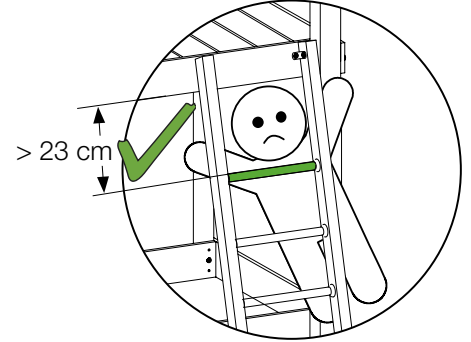
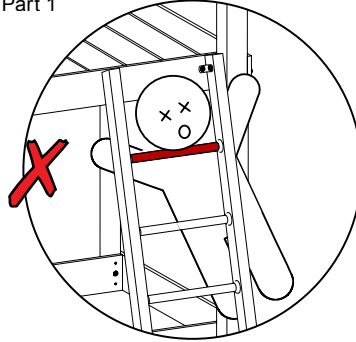




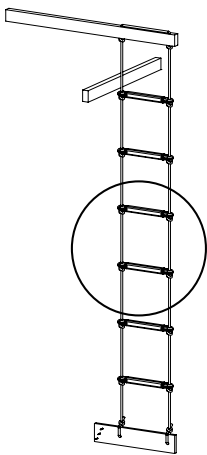
Part 1



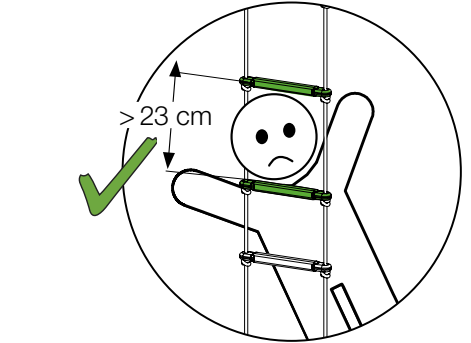
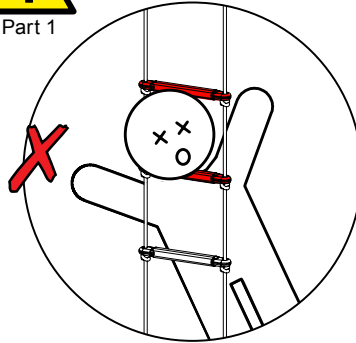
Part 1



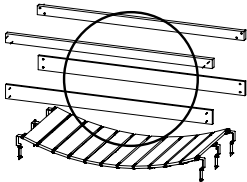
Part 1



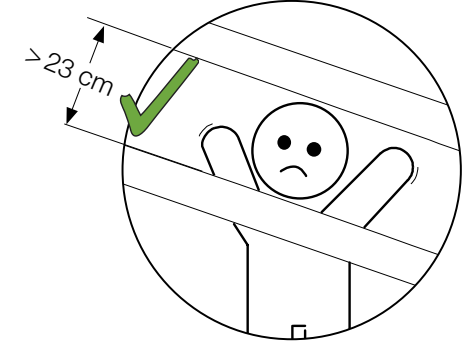
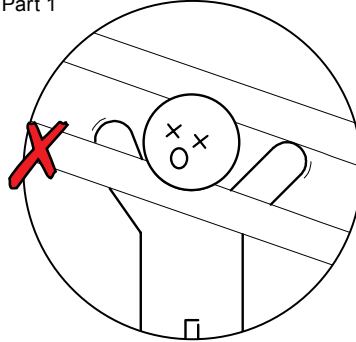
Part 1



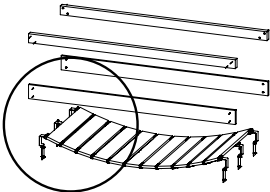
Part 1



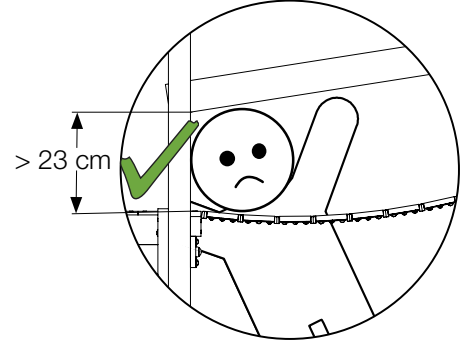
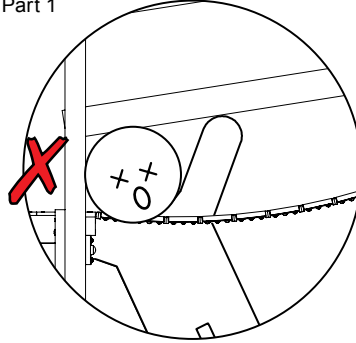
Part 1

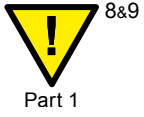


Part 1



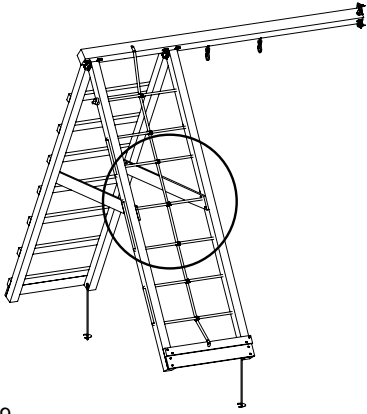
Part 1





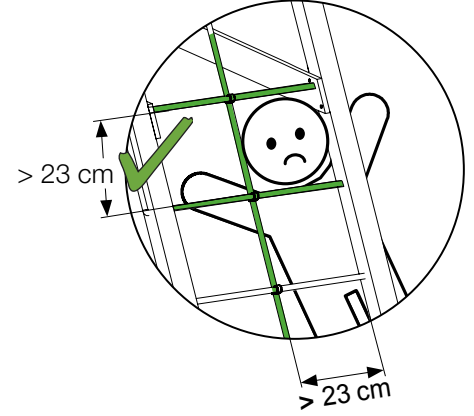
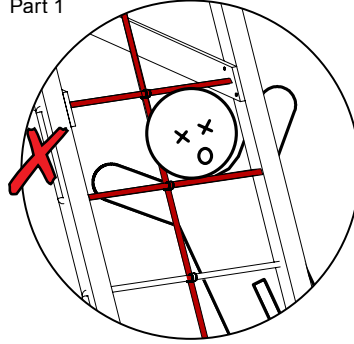
8&9

Part 1



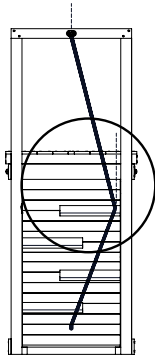
9

Part 1



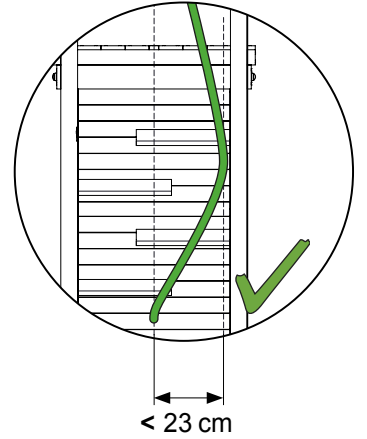
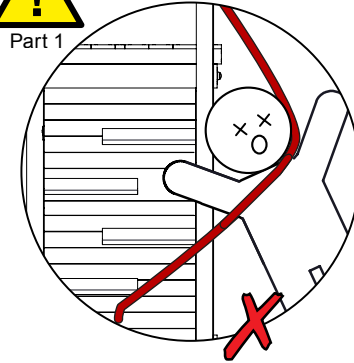
8&9

Part 1



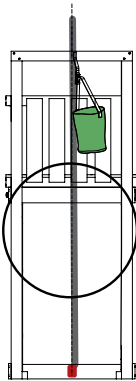
9

Part 1



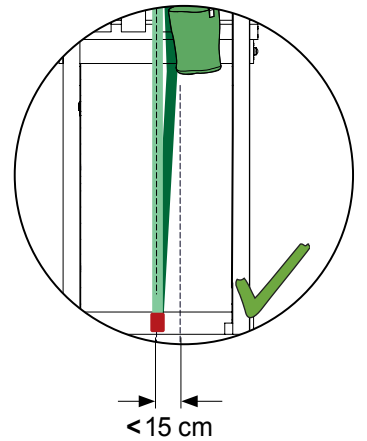
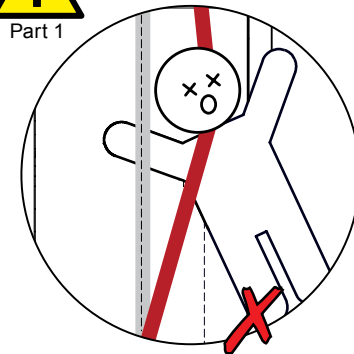
8&9

Part 1



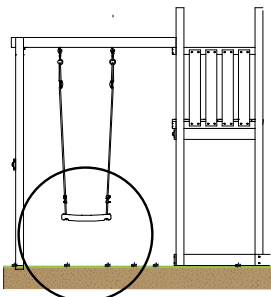
9

Part 1



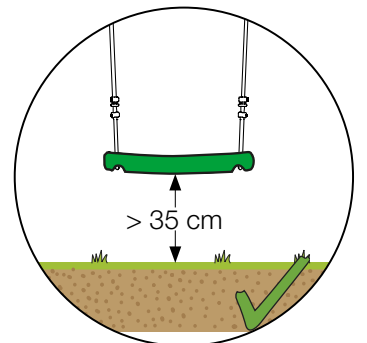
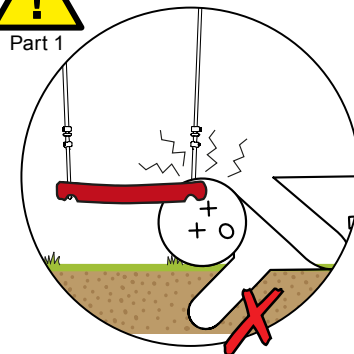
8&9

Part 1



3

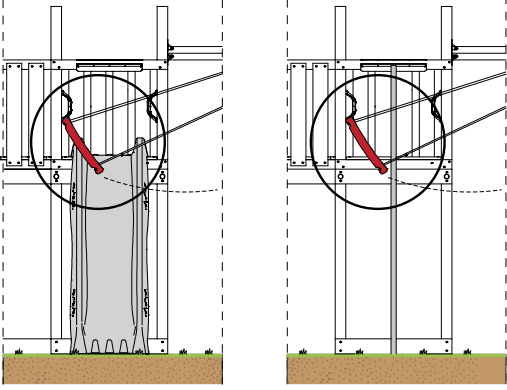
Part 1





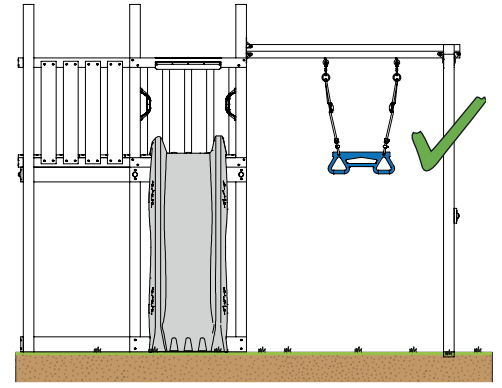
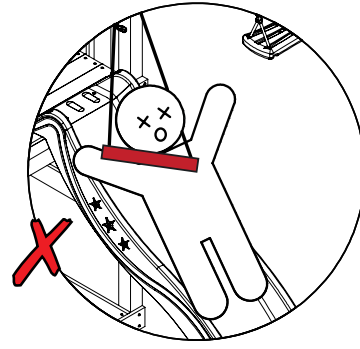
10

Part 1



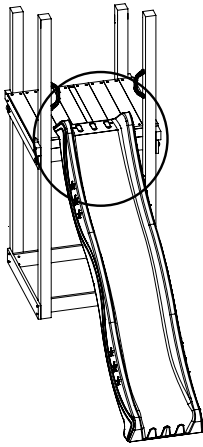
4&9

Part 1



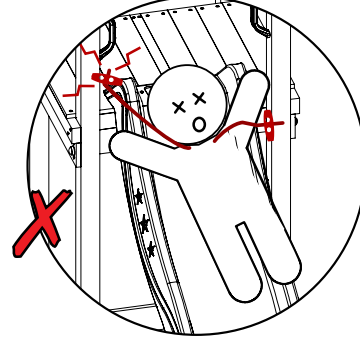
10

Part 1

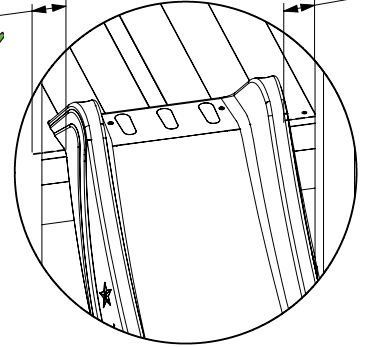


4&9

Part 1



min. 26 mm  
max. 75 mm

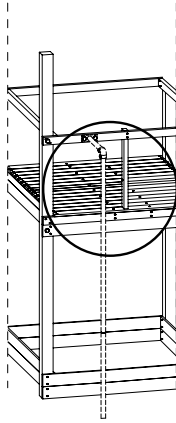


min. 26 mm  
max. 75 mm



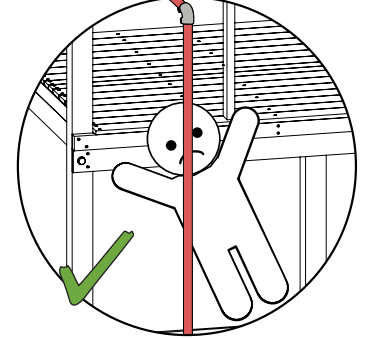
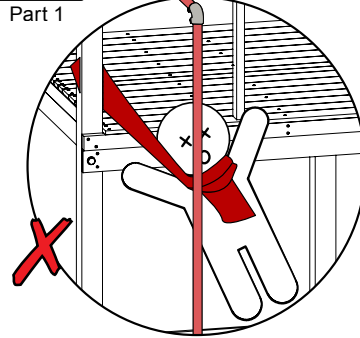
10

Part 1



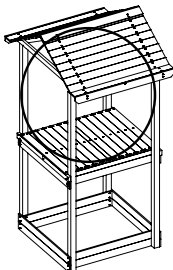
4&9

Part 1



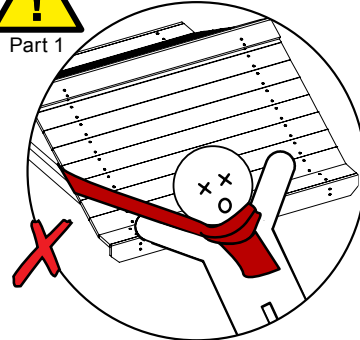
13

Part 1



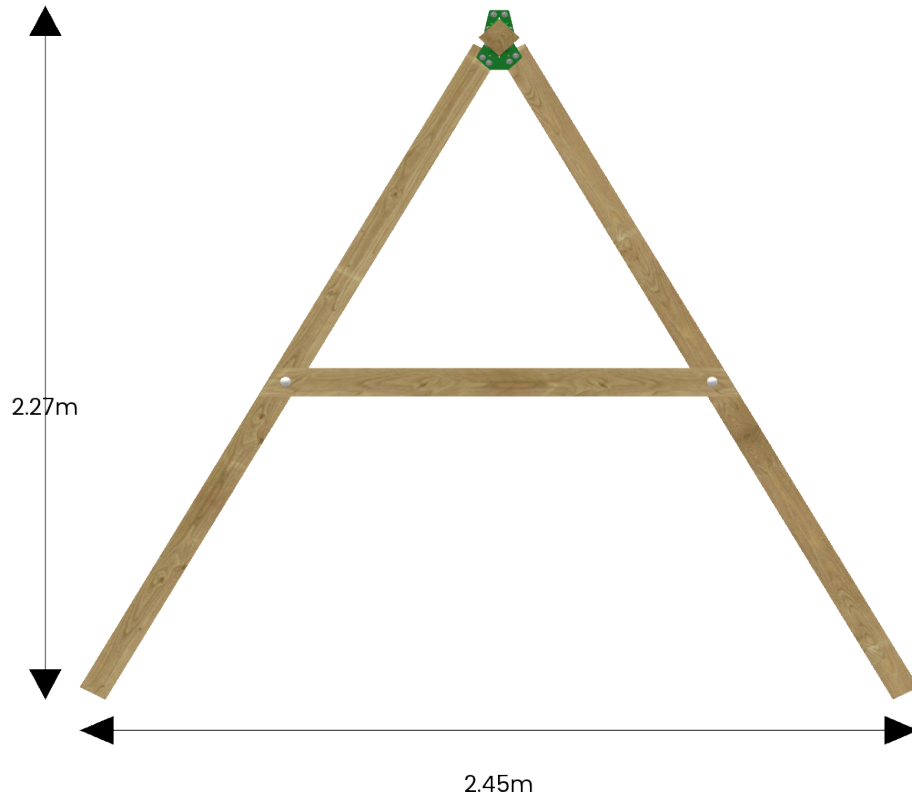
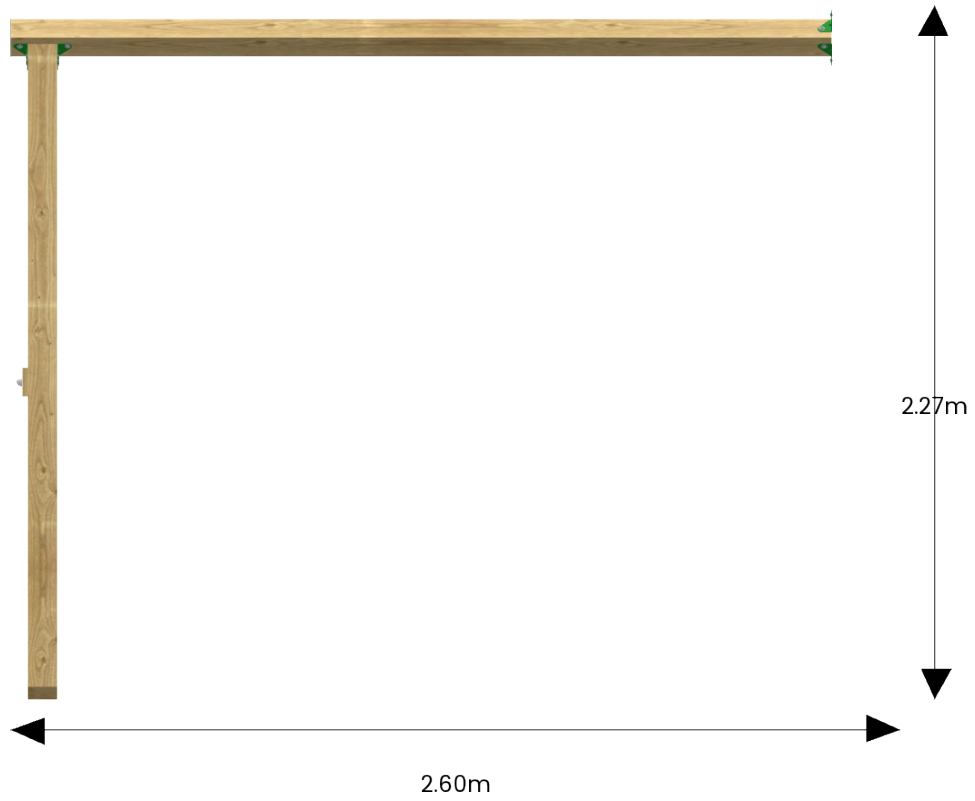
4&9

Part 1



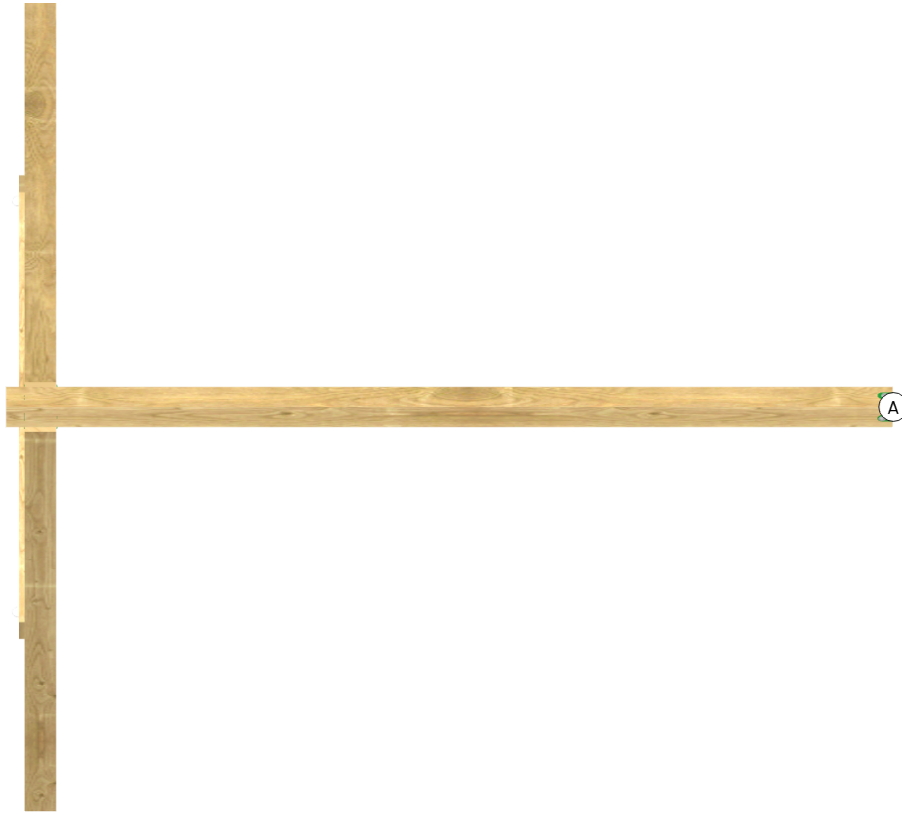
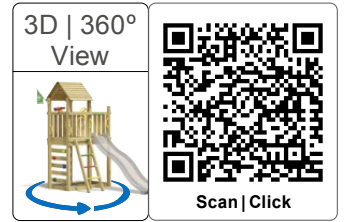


# Dimensions Abmessungen Dimensions





# Assembly sequence Montagereihenfolge Séquence d'assemblage



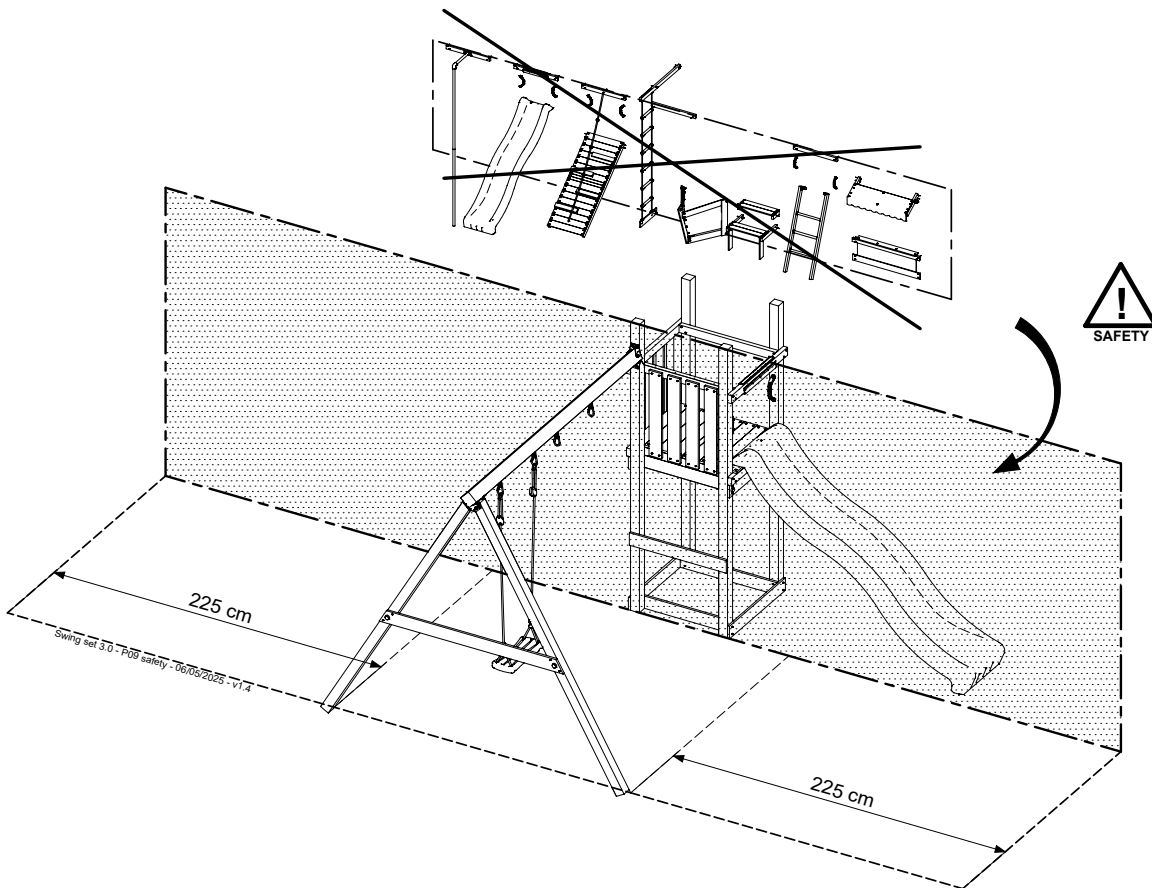
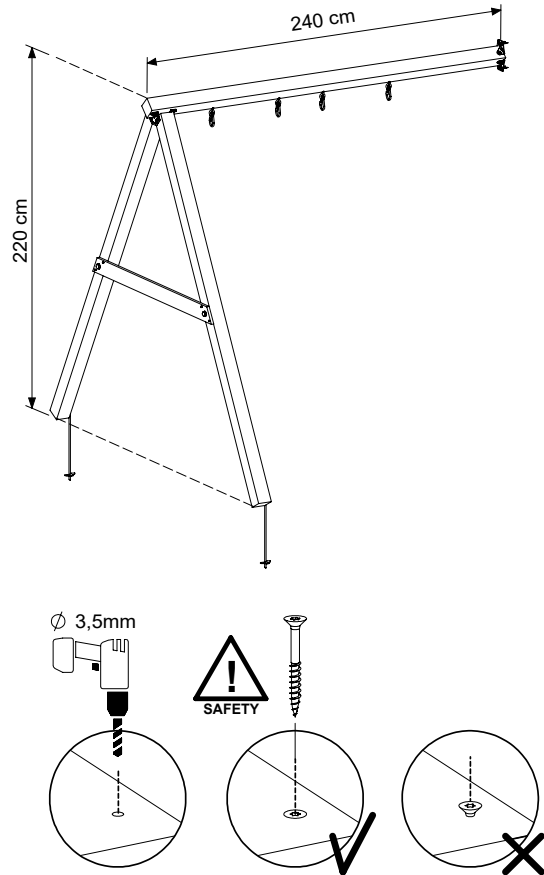
Step	Print ID	Sub-assembly	Page	Location
1	SW22a		p.18	(A)
2	GA		p.26	(A)

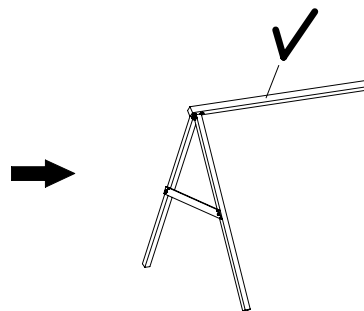
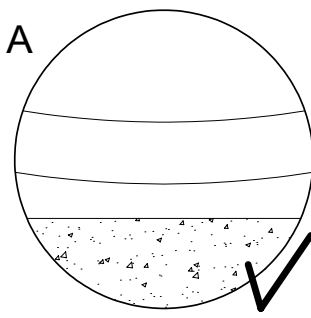
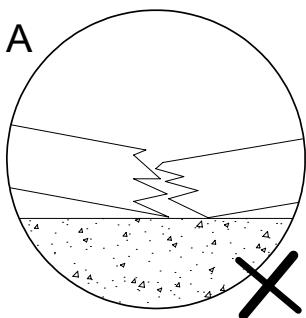
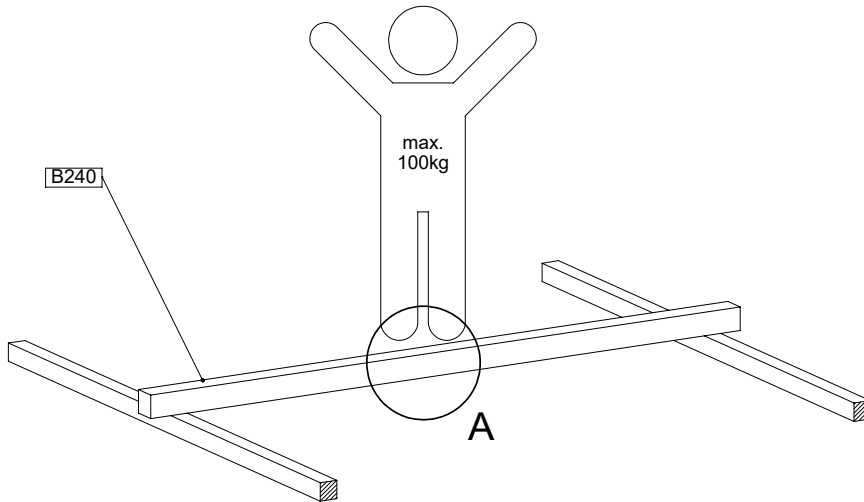
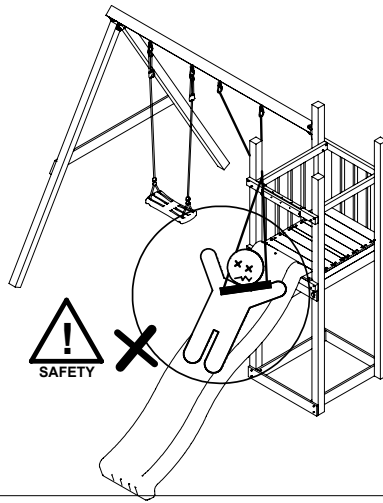
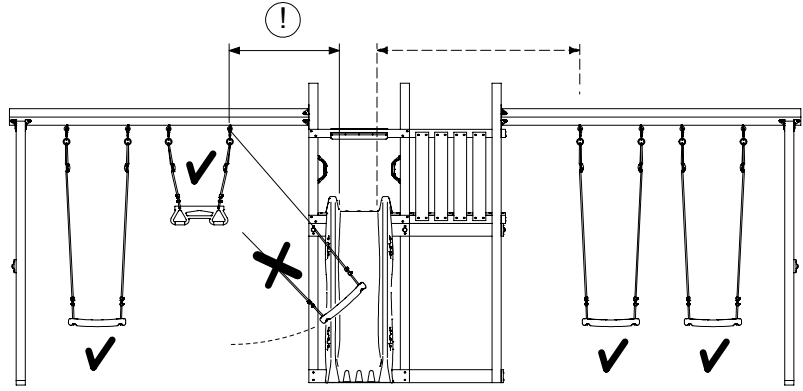
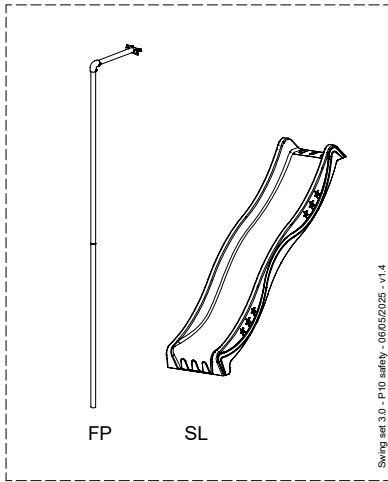
# 1 SW22a: 2- Swing Module 220 Extra - 3.0

Assembly Kit: 457\_103

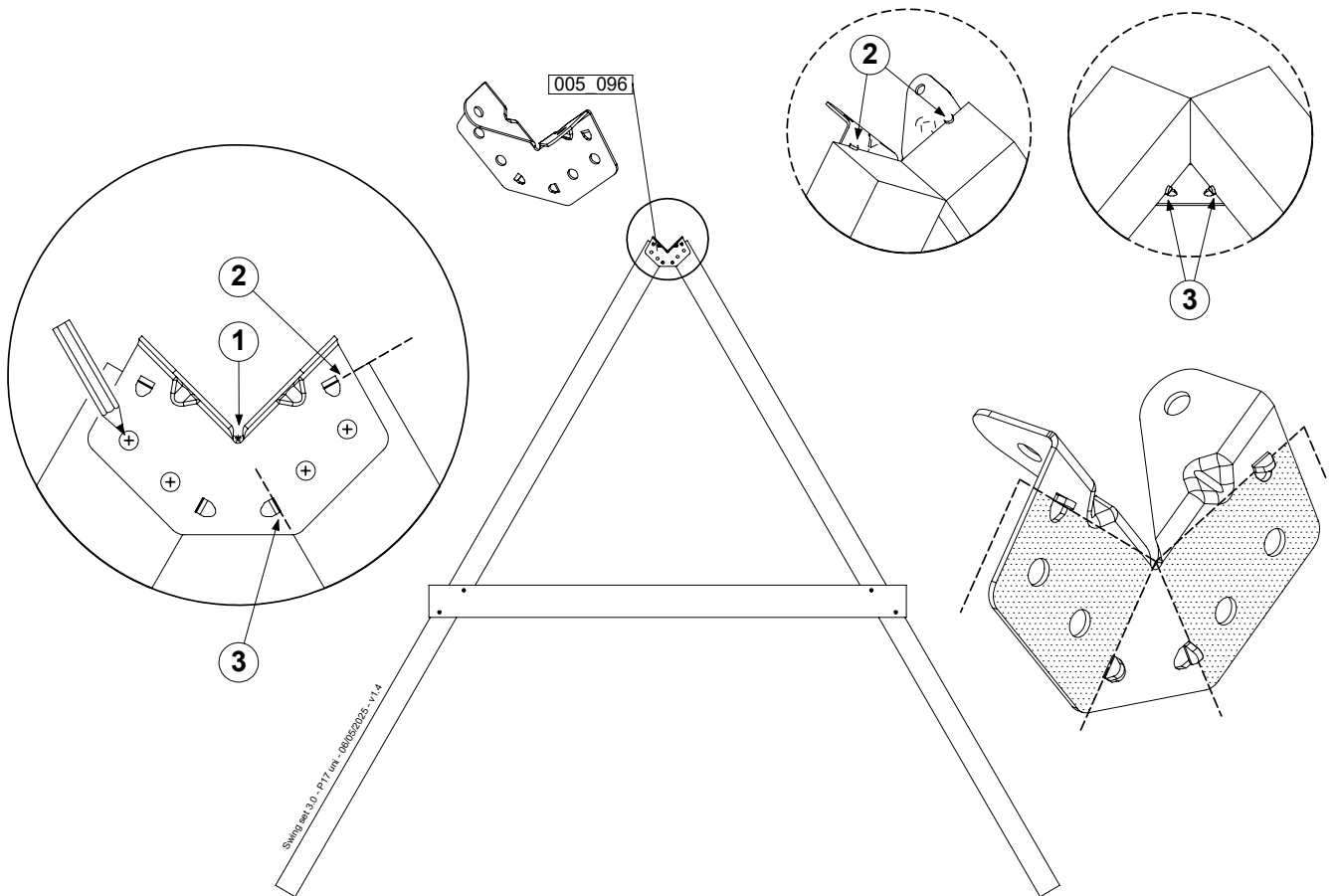
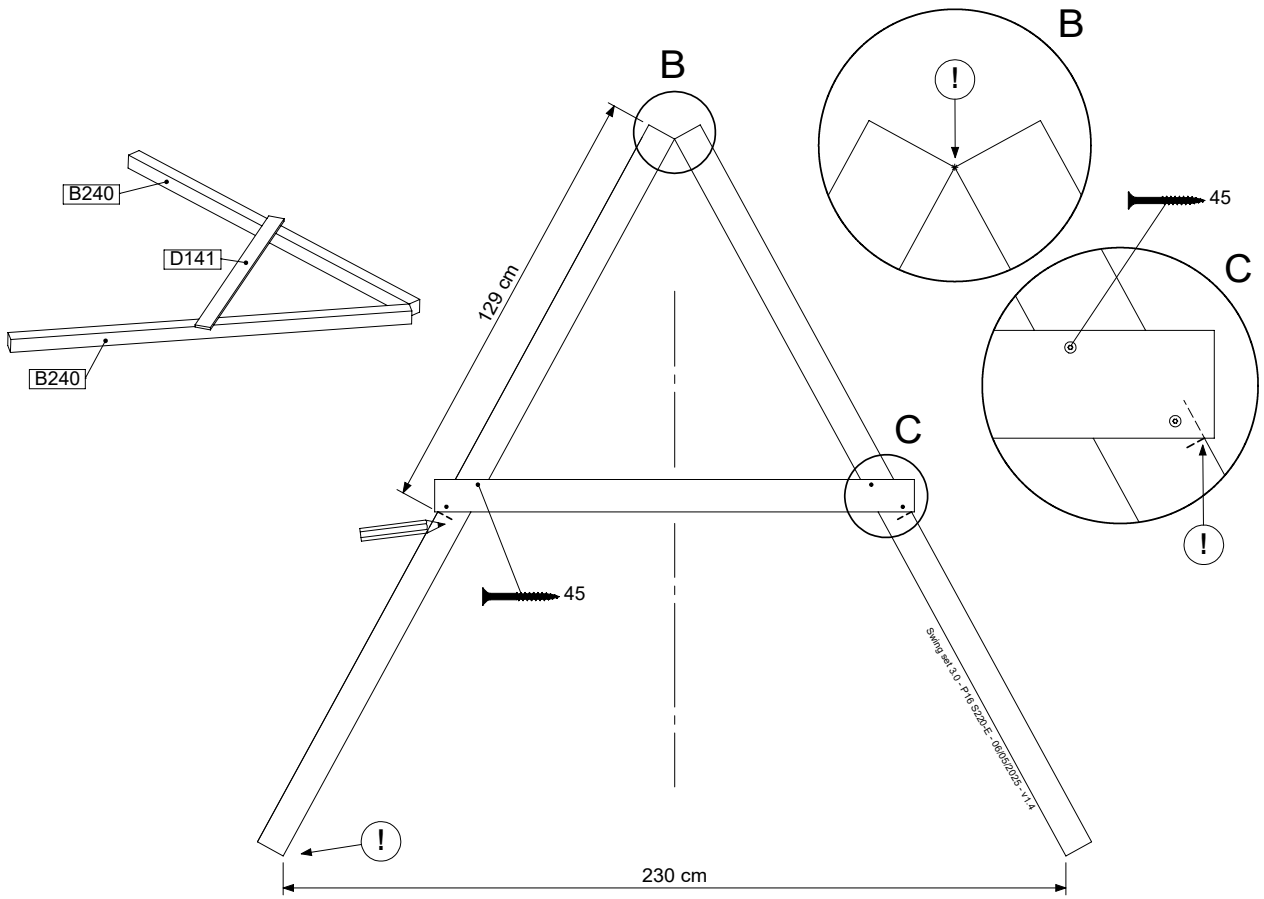
	PartNo	PartName	QTY.
Hardware + Parts	001_404	Stealth Screw 8x30	4
	001_406	Stealth Screw 8x45	22
	001_411	Stealth Screw 8x60	2
	001_417	Stealth Screw 8x80	2
	002_220	Gap Point Screw T25 - 5x45	8
	002_223	Gap Point Screw T25 - 5x80	2
	022_31x	bpc-base version 3	2
	022_84x	bpc cover	2
	023_042	Nylon washer 9x19x1.5	20
	005_096	A-Frame V-Connector	2
	005_097	Swing V-Connector	2
	007_001	Ground-anchor	2
	101_003	Swing hook with Carabiner	4
Timber	B240	Post ca.90x90 L2400	3
	D141	Board 1410 mm	2

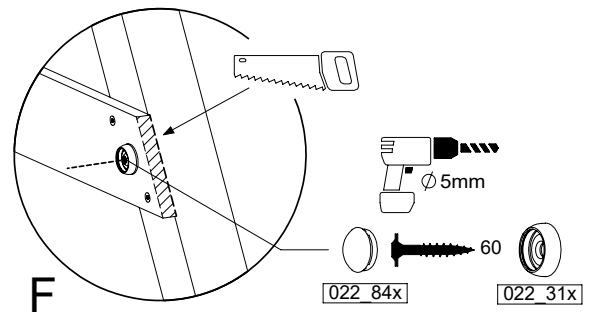
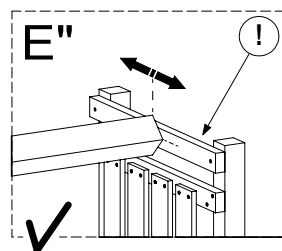
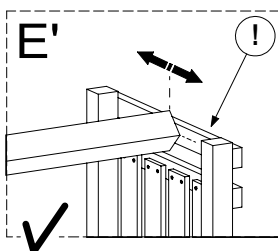
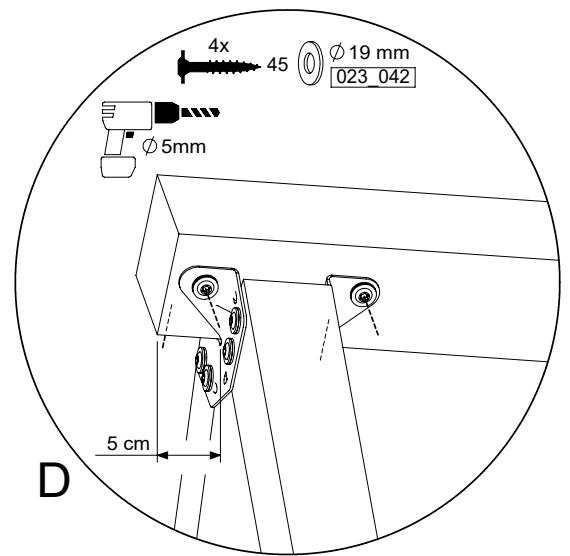
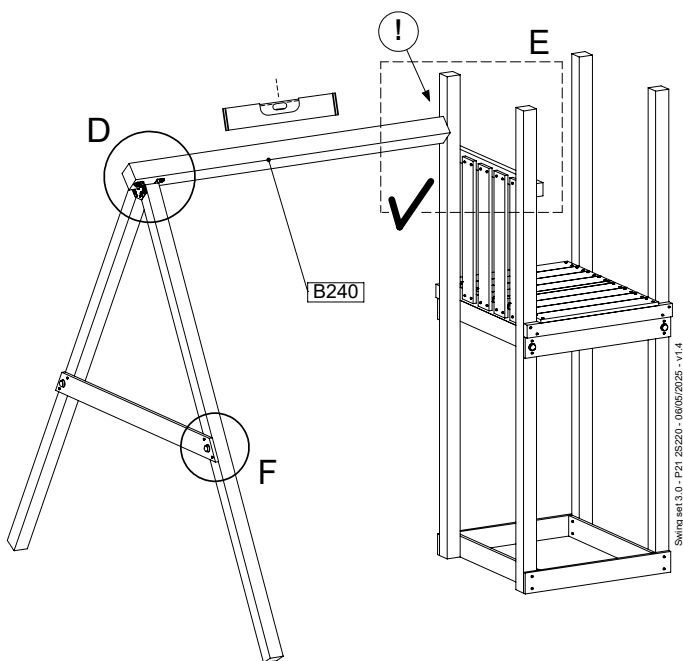
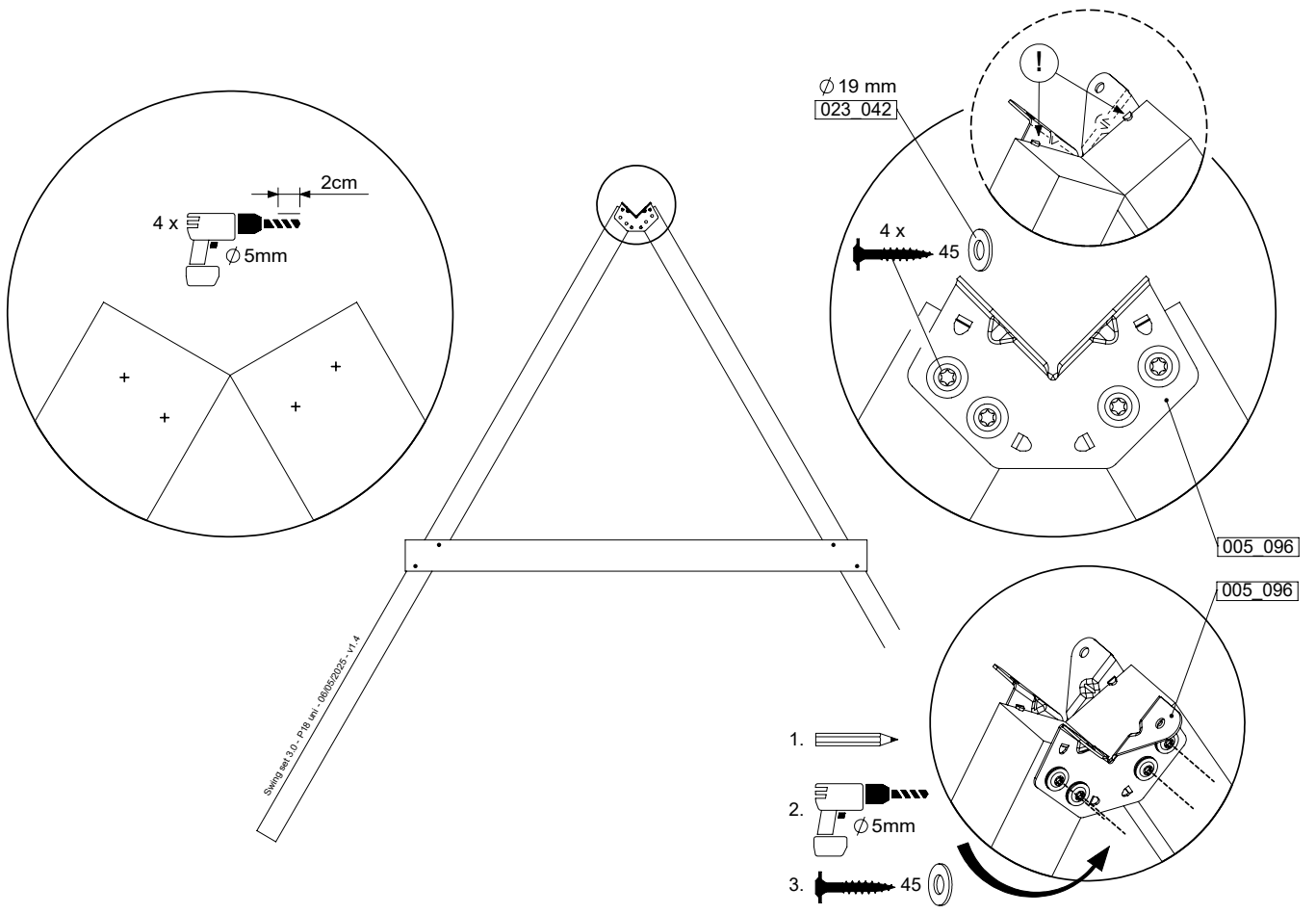
Swing set 3.0 - P025 safety - 06/05/2025 - v1.4



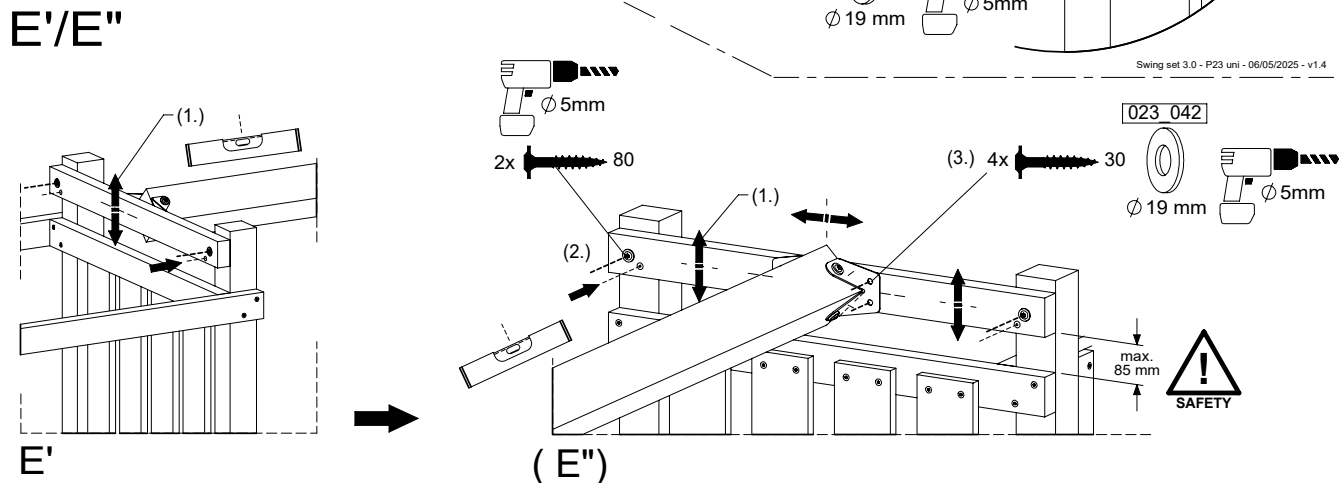
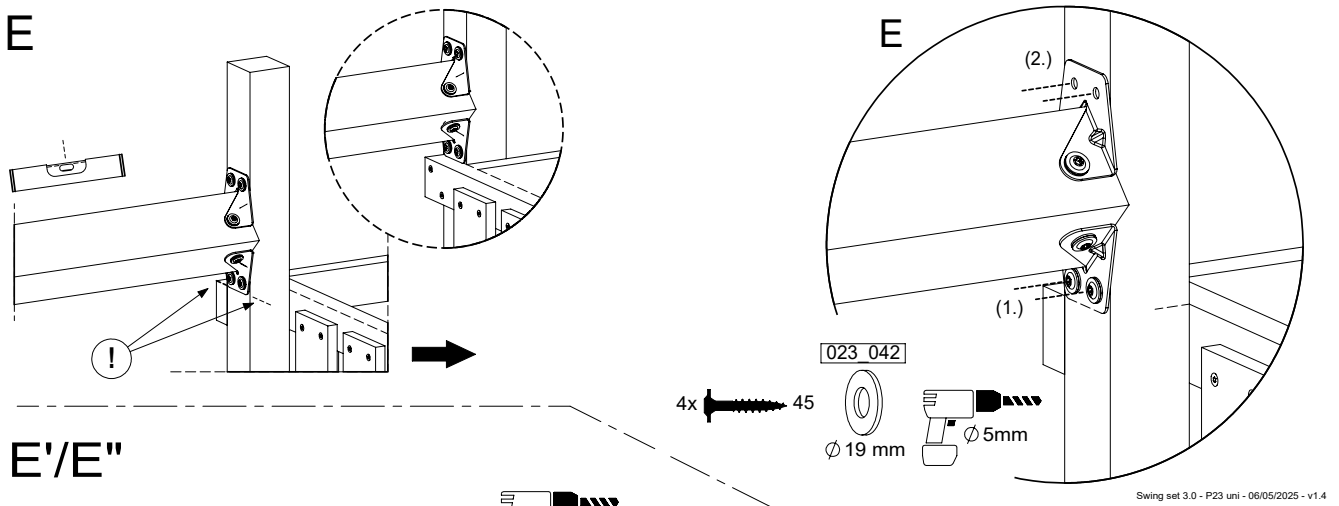
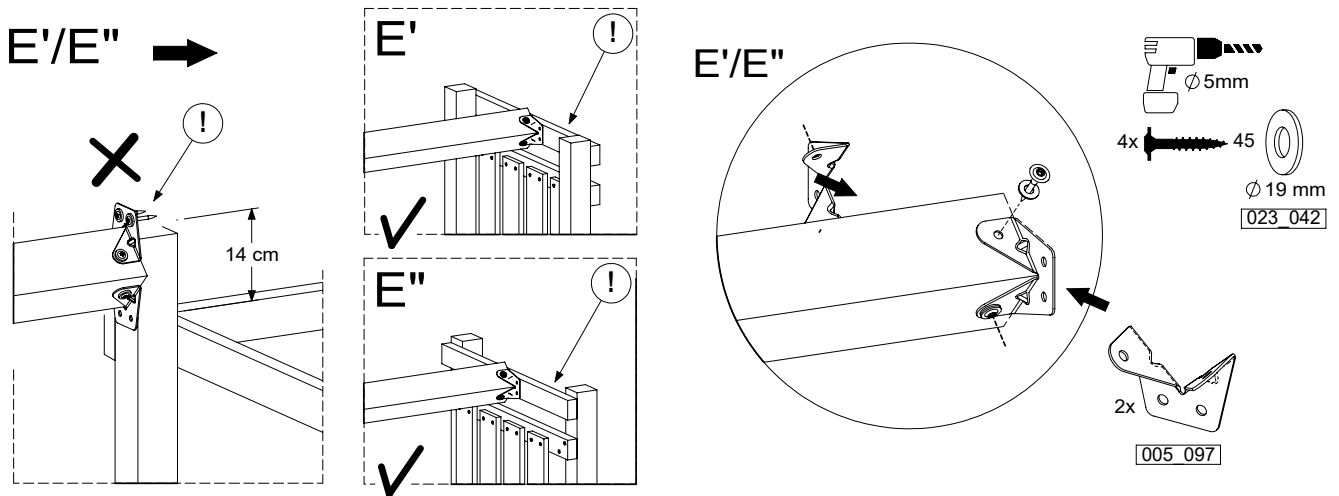
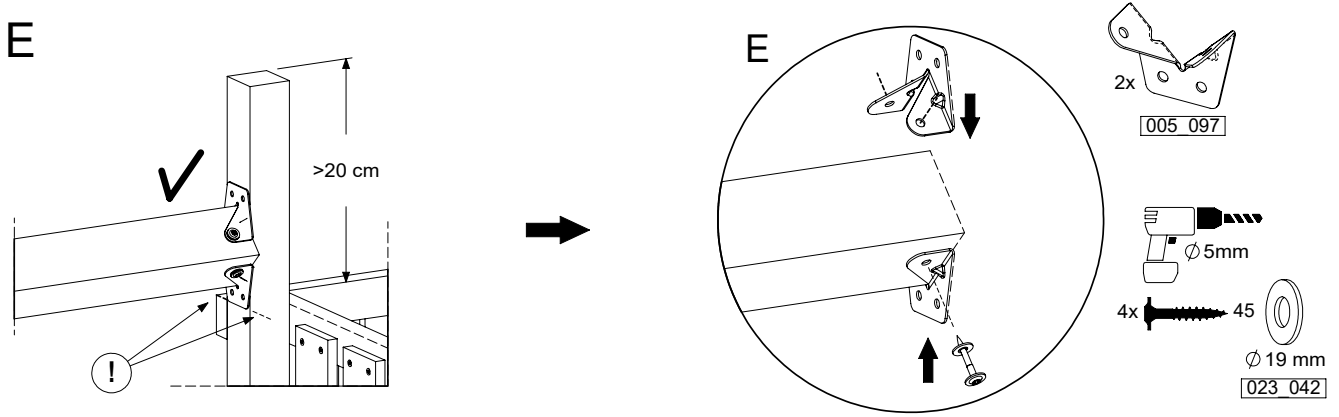


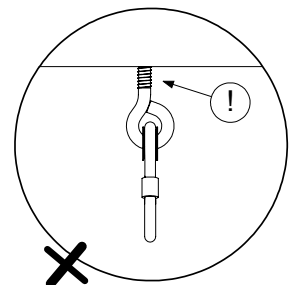
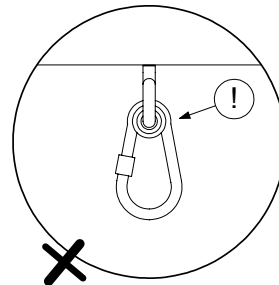
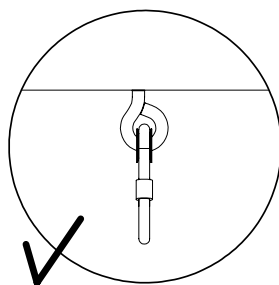
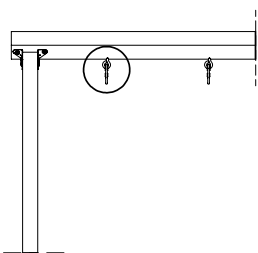
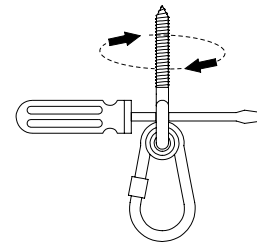
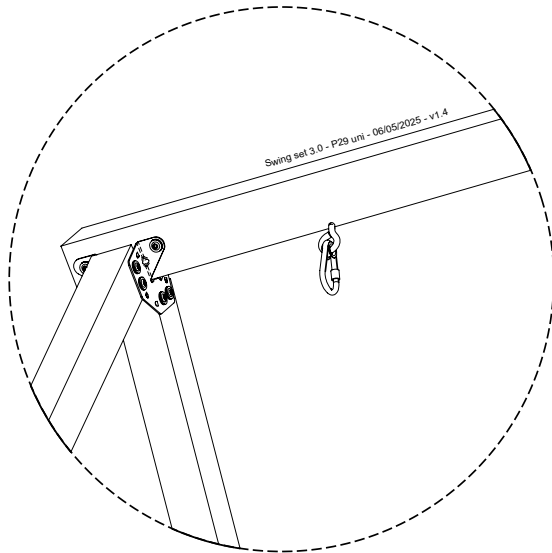
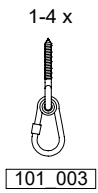
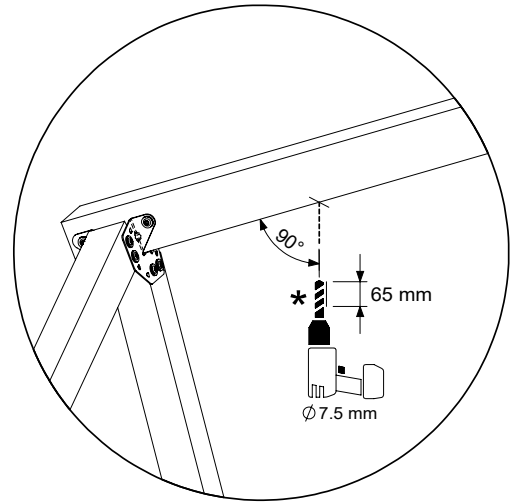
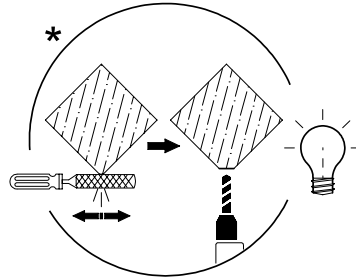
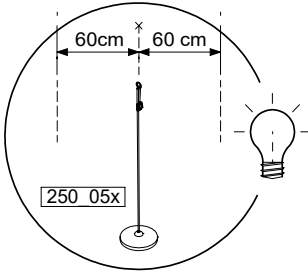
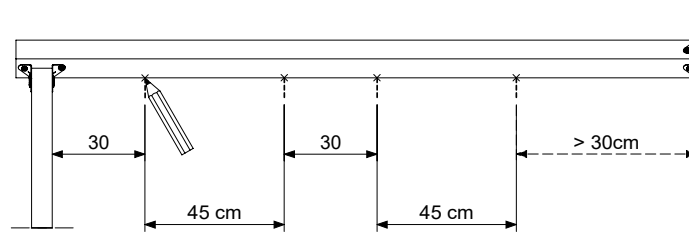
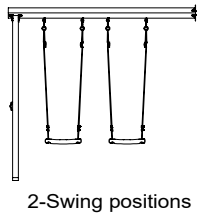
Swing set 3.0 - P13 25220 - 06/05/2025 - v1.4





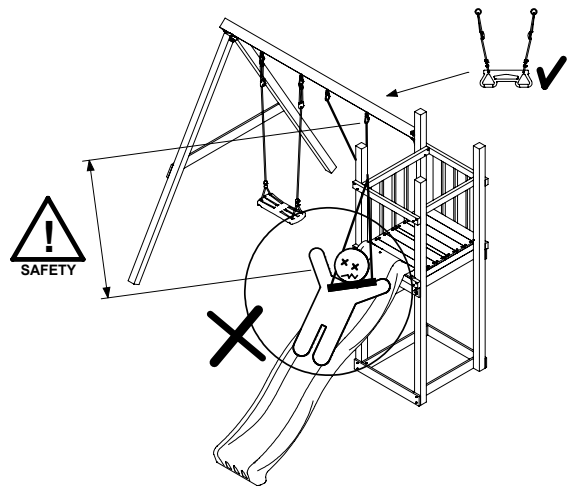
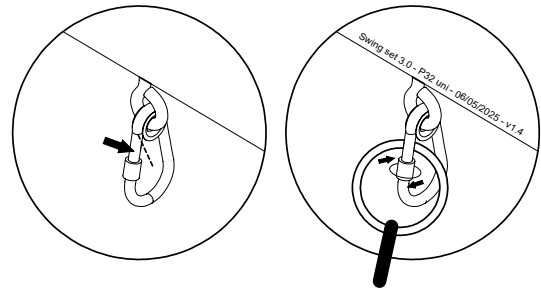
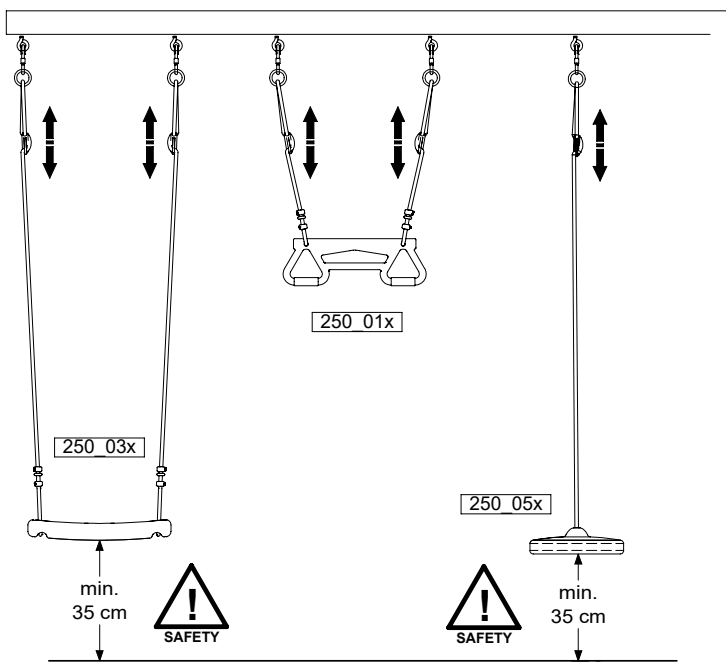
1.4



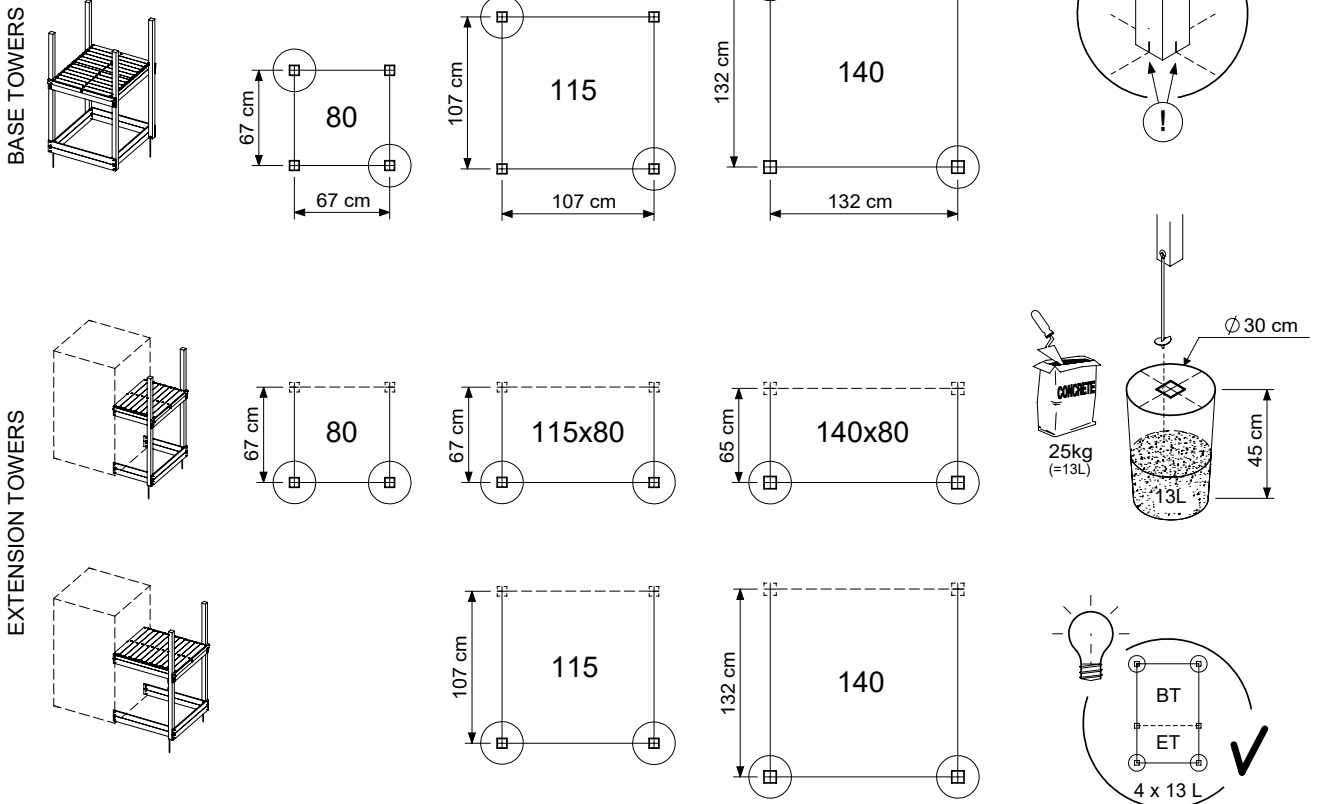




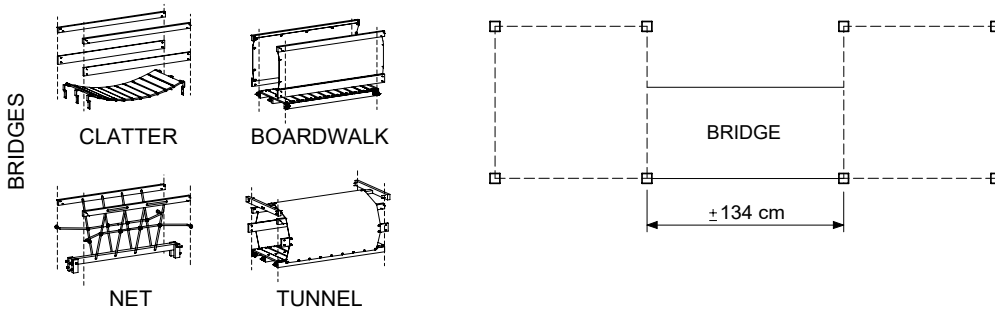
# 1.7



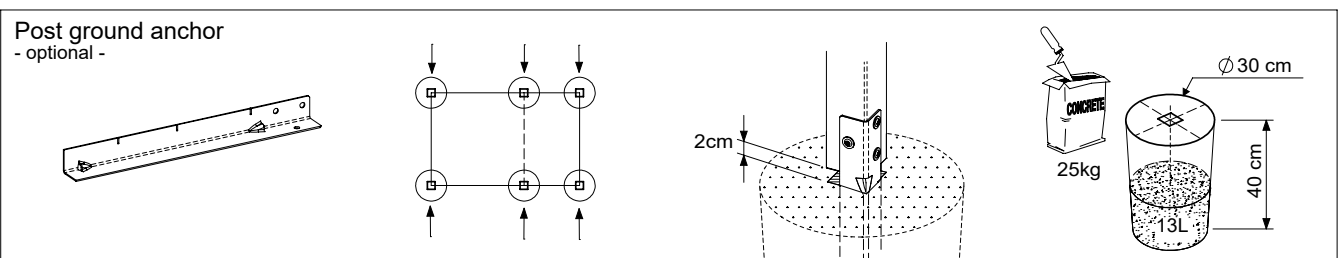
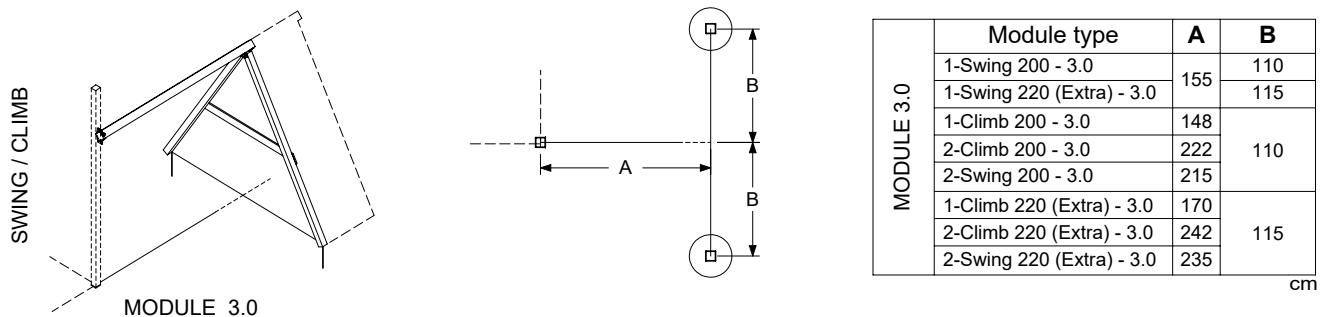
## 2 GA: Ground Anchors



Ground Anchor, Uni. - P03 - 22/07/2025 - V2.3

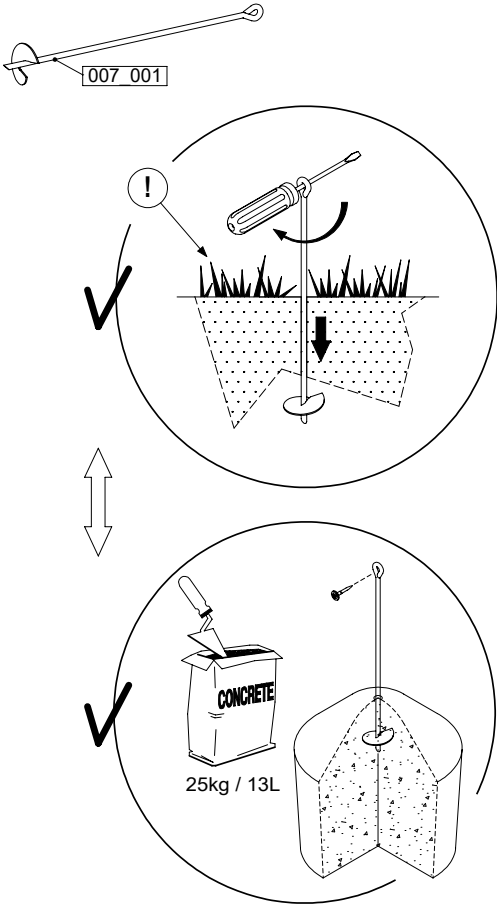


Ground Anchor, Uni. - P04 - 22/07/2025 - V2.3

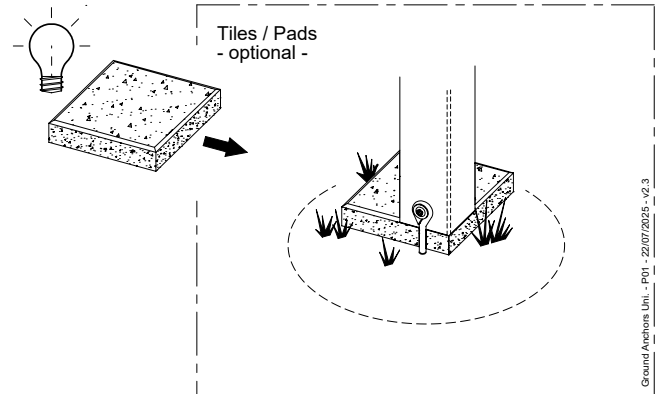
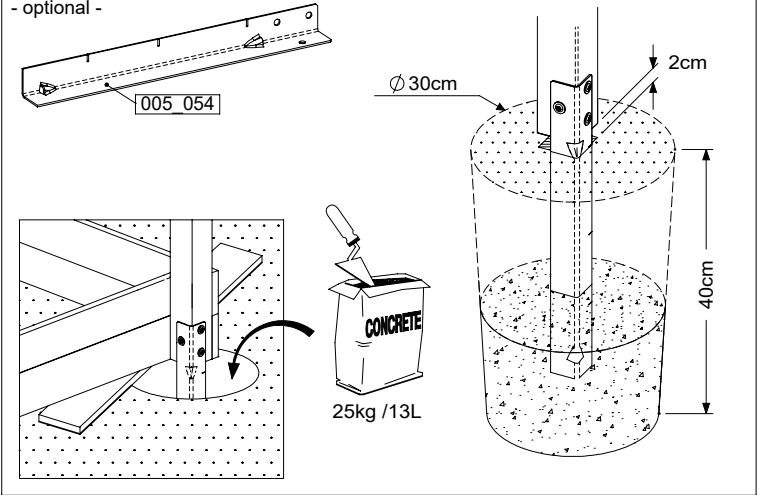


## 2.1

### Screw-in ground anchor

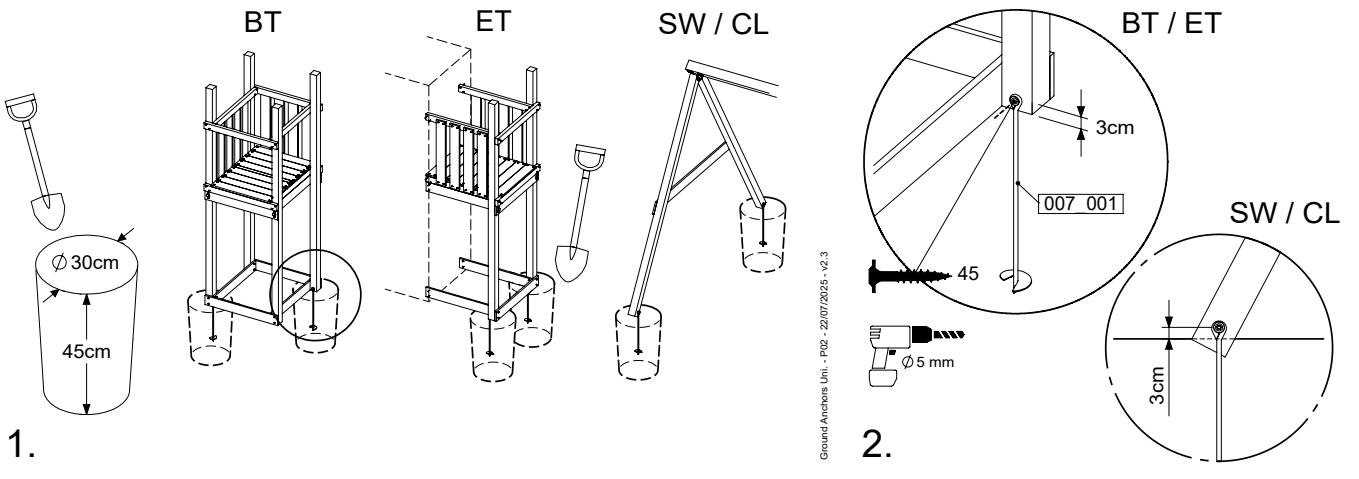


### Post ground anchor - optional -

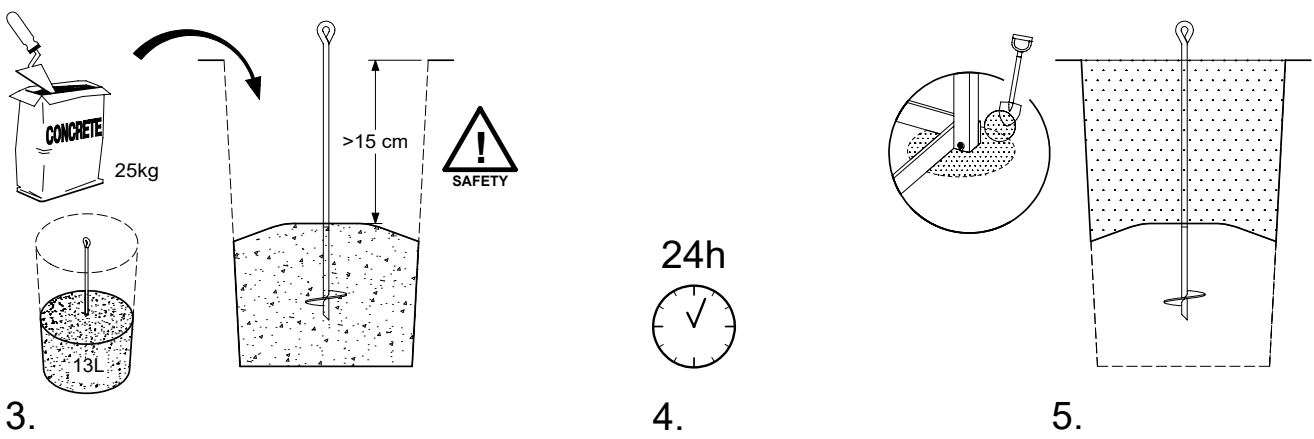


Ground Anchors Unit - P01 - 22/07/2025 - v2.3

Manual ID: 040\_185\_2811



Ground Anchors Unit - P02 - 22/07/2025 - v2.3





# Safe play instructions and safety notices

## Sichere Spielanweisungen und Sicherheitswarnungen

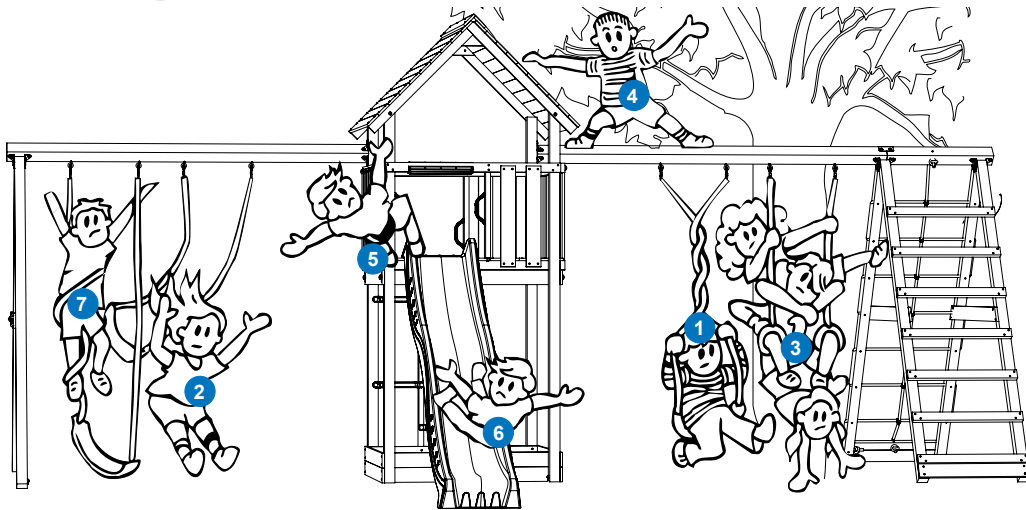
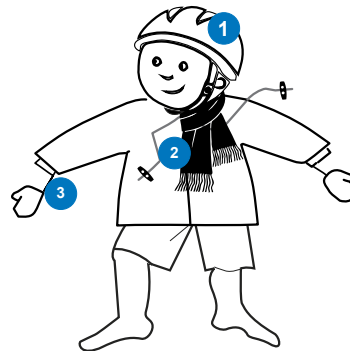
### Consignes de jeu sécurisé et avis de sécurité



1,2,3,4

Part 1

**Maximum number of users**  
**Maximale Benutzerzahl**  
**Le nombre maximal d'utilisateurs**



**Satisfied with the result? We'd love your rating.**  
**Zufrieden mit dem Ergebnis? Teilen Sie Ihre Bewertung.**  
**Satisfait du résultat ? Nous serions ravis de recevoir votre avis.**

Review us on

★★★★★

Scan | Click

Google account required

Review us on

★★★★★

Scan | Click

Trustpilot account required



EU Declaration of Conformity  
UK Conformity Assessed  
EU-Konformitätserklärung  
Déclaration EU de conformité



( in accordance with 768/2008/EC )



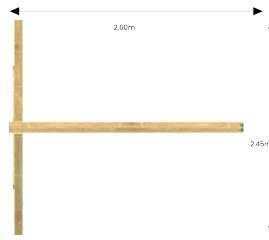
**Verified safety & Assembly instructions**  
**Geprüfte Sicherheit & Montageanleitung**  
**Sécurité vérifiée et Instructions de montage**

Design Code : **0eR1pe**

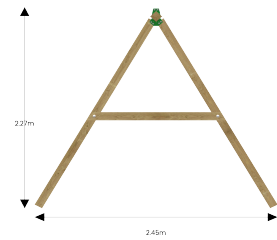
Checkpoint	Description	Compliance
1. Balustrades / Guardrails	Each platform is fully enclosed by balustrades, except at intentional means of access/exit. Height & spacing according to EN 71-8	✓ Pass
2. Swing vs. Slide / Pole Interference	Swing arc (incl. rope loop) does not cross slide entry/exit or Fireman's Pole starting section.	✓ Pass
3. Object Space Separation	No overlap between two object spaces (e.g., climbing wall vs. slide exit).	✓ Pass
4. Object Space vs. Fall Space	Fall zones and free space (impact areas with shock-absorbing surface) are clear of other object spaces. No overlap between fall and use zones.	✓ Pass



Frontview



Topview



Sideview

✓ **Safety Checked**

Your design is automatically reviewed by our safety rule engine and verified by our output control center before instructions are generated. Your design has passed all safety checks.

1. General chapter presence	All general chapters are present (safety guidelines, customer service information, order overview, timber parts list, slide and hardware registration overview, part en pieces references, registration & warnings, required tools, installation and assembly notices, overall dimensions, assembly sequence).	✓ Pass
2. Sub-assembly Presence	All sub-assemblies are listed in the complete composition and delivery overview.	✓ Pass
3. Sub-assembly listings	All sub-assemblies references are listed in the assembly sequence table	✓ Pass
4. Sub-assembly links	Link references in the assembly sequence table correspond to the correct assembly instruction chapters.	✓ Pass
5. Timber part presence	Each assembly instruction chapter includes a corresponding timber part list..	✓ Pass
6. Timber part counts	Individual timber parts listed in the individual assembly pack overview in the assembly instruction chapter are counted and matched with the overview in the timber part list.	✓ Pass

✓ **Manual checked**

This assembly manual has been reviewed and verified. All required chapters, sub-assemblies, sequence references, timber lists, and BOMs have been checked and confirmed to be complete and consistent. You can be confident that this manual gives you all the information you need for a safe and complete assembly, provided the instructions are followed carefully.



**EU Declaration of Conformity**  
**UK Conformity Assessed**  
**EU-Konformitätserklärung**  
**Déclaration EU de conformité**



( in accordance with 768/2008/EC )

**Product range:** Activity toys for domestic use  
**Produktfamilie:** Aktivitätsspielzeug für den häuslichen Gebrauch  
**Gamme de produits:** Jouets d'activité à usage familial

**DoC reference: 20260413\_0700**

**Identification climbing frames**

**a. Complete climbing frame assemblies - Vollständige Klettergerüst-Baugruppen - Assemblages complets de structures d'escalade**

Playtowers 801\_005, 801\_009, 801\_010, 801\_013, 801\_025, 801\_040, 801\_060, 801\_070, 801\_090, 801\_095, 801\_100, 801\_103, 801\_105, 801\_110, 801\_120, 801\_200, 802\_202, 802\_204, 802\_206, 802\_208, 803\_202, 803\_204, 803\_206, 803\_208, 803\_210, 809\_802, 809\_804  
Swings 801\_300, 801\_601, 801\_602  
Modules 850\_175, 850\_220, 850\_240

**b. Climbing frame elements - Klettergerüst-Elemente - Éléments de structures d'escalade**

Base towers (BT) BT01a, BT02a, BT03a, BT11a, BT14a, BT15a, BT07, BT12, BT20a, BT21a, BT23a, BT22  
Extension towers (ET) ET01a, ET02a, ET05a, ET06a, ET07a, ET08a, ET09a, ET10a, ET11a, ET12a, ET13a, ET14a, ET15a, ET16a, ET17a, ET18a, ET19a, ET20a, ET22a, ET23a, ET27a, ET28a, ET35a, ET29a, ET30a, ET31a, ET39a, ET40a  
Veranda (VD) VD01a, VD02a, VD03a, VD04a, VD05a  
Bridges (CB, NB, BB, TB) CB01a, CB01b, NB01a, BB01a, BB02a, TB01a, TB02a, TB03a, TB04a  
Roofs (RF) RF01a, RF21a, RF02a, RF03a, RF04a, RF05a, RF06a, RF20a, RF02b, RF03b, RF28a, RF31a, RF07a, RF08a, RF22a, RF09a, RF23a, RF11a, RF12a, RF16a, RF07b, RF12b, RF08b, RF22b, RF09b, RF23b, RF11b, RF29a, RF34a, RF32a, RF14a, RF24a, RF15a, RF25a, RF18a, RF17a, RF18b, RF14b, RF24b, RF15b, RF25b, RF30a, RF35a, RF33a  
Balustrade (BL, BF) BL01a, BL02a, BL11a, BL12a, BL21a, BL22a, BF25a, BF26a, BF27a, BF28a, BL03a, BL04a, BL13a, BL14a, BF01a, BF02a, BF03a, BF04a, BF05a, BF06a, BF07a, BF08a, BF01b, BF02b, BF03b, BF04b, BF05b, BF06b, BF07b, BF08b, BL05a, BL06a, BL07a, BL08a, BL09a, BL10a, BL15a, BL16a, BF21a, BF22a, BF23a, BF24a, BF21b, BF22b, BF23b, BF24b  
Playhouse (PH) PH03a, PH04a, PH05a, PH06a, PH10a, PH11a, PH40a, PH41a, PH12a, PH13a, PH14a, PH15a, PH42a, PH43a, PH44a, PH45a, PH16a, PH17a, PH18a, PH19a, PH30a, PH31a, PH16b, PH17b, PH18b, PH19b, PH46a, PH47a, PH48a, PH49a, PH16c, PH17c, PH18c, PH19c, PH46b, PH47b, PH48b, PH49b, PH34a, PH35a, PH20a, PH21a, PH22a, PH23a, PH24a, PH25a, PH26a, PH27a, PH32a, PH33a, PH52a, PH53a, PH54a, PH55a, PH56a, PH57a, PH50a, PH51a, PH26b, PH27b, PH26c, PH27c, PH56b, PH57b  
Ladder (LA) LA05a, LA06a, LA01a, LA02a, LA09a, LA03a, LA04a, LA01b, LA02b, LA09b, LA03b, LA04b, LA11a, LA12a, LA13a, LA14a, LA15a, LA16a, LA17a, LA18a, LA31a, LA32a, LA33a, LA34a, LA35a, LA36a, LA37a, LA38a, LA11b, LA12b, LA13b, LA14b, LA15b, LA16b, LA17b, LA18b, LA51a, LA52a, LA53a, LA54a, LA19a, LA20a, LA21a, LA22a, LA23a, LA24a, LA25a, LA26a, LA43a, LA44a, LA45a, LA46a, LA23b, LA24b, LA25b, LA26b  
Two Step Ladder (TS) TS01a, TS01b, TS02a, TS02b, TS21b, TS03b, TS22a, TS22b, TS05a, TS06a, TS07a, TS08a, TS09a, TS10a, TS11a, TS12a, TS15a, TS16a, TS17a, TS18a, TS19a, TS20a, TS21a, TS22a  
Rope Ladder (RL) RL01a, RL02a, RL05a, RL06a, RL07a, RL08a, RL09a, RL10a, RL11a, RL12a, RL15a, RL16a, RL19a, RL20a  
Rock wall (RW) RW01a, RW02a, RW01b, RW02b, RW03b, RW31a, RW32a, RW33a, RW05a, RW06a, RW07a, RW08a, RW09a, RW10a, RW11a, RW12a, RW05b, RW06b, RW07b, RW08b, RW40a, RW41a, RW40b, RW41b, RW42a, RW43a, RW15a, RW16a, RW17a, RW18a, RW19a, RW20a, RW46a, RW47a  
Ramp (RA) RA01b, RA02b, RA03a, RA04a, RA21a, RA05a, RA06a, RA07a, RA08a, RA05b, RA06b, RA07b, RA08b, RA11a, RA12a, RA09b, RA10b, RA11b, RA12b  
Net (NA, NS) NA01a, NA02a, NS01a, NS02a, NS03a, NS21a, NA04a, NA05a, NS04a, NS05a, NS06a, NS07a, NA08a, NA09a, NS08a, NS09a  
Boat (BO) BO01a  
Market (MT) MT01a, MT02a, TC01a, TC02a, MT01b, MT02b, TC01b, TC02b, MT05a, MT06a, MT11a, MT12a  
Target Canvas (TC) TC03a, TC04a, TC05a, TC06a  
Picnic (PC) PC01a, PC01b, PC05a, PC06a, PC09a, PC10a  
Playkitchen (PK) PK01a, PK05a, PK09a  
Gymnastics bar (GY) GY01a  
Fireman's pole (FP) FP30a, FP01a, FP02a, FP04a, FP05a, FP06a, FP07a, FP23a, FP24a, FP25a, FP26a, FP27a, FP28a  
Slides (SL) SL30a, SL31a, SL01a, SL02a, SL03a, SL06a, SL07a, SL08a, SL09a, SL10a, SL11a, SL12a, SL13a, SL22a, SL23a, SL24a, SL25a, SL26a, SL27a, SL28a, SL29a  
Swing (SM) SW17a, SW21a, SW18a, SW22a, SW19a, SW23a, SW01a, SW05a, SW02a, SW06a, SW03a, SW07a, SW09a, SW13a, SW10a, SW14a, SW11a, SW15a  
Climb (CL) CL17a, CL21a, CL18a, CL22a, CL19a, CL23a, CL01a, CL05a, CL02a, CL06a, CL03a, CL07a, CL09a, CL13a, CL10a, CL14a, CL11a, CL15a  
Universal Beam (UB) UB01a, UB04a, UB20a, UB21a, UB22a, UB23a, UB24a, UB25a, UB26a, UB27a, UB28a, UB29a, UB02a, UB05a, UB03a, UB06a, UB07a, UB08a  
Accessoiries (AC) AC40a, AC43a, AC30a, AC31a, AC32a, AC33a, AC61a, AC62a, AC63a, AC01a, AC11a, AC05a, AC07a, AC03a, AC04a, AC06a, AC23a, AC22a, AC24a, AC21a, AC25a, AC02a, GA31, AC09a, AC08a, AC10a

**Identification construction packages**

**a. Assembly kits for complete climbing frames - Montagesets für komplette Klettergerüste - Kits de montage pour structures d'escalade complètes**

Playtowers 401\_015, 401\_080, 401\_125, 402\_201, 402\_202, 402\_204, 402\_206, 402\_208, 403\_202, 403\_204, 403\_206, 403\_208, 403\_210, 409\_802, 409\_804  
Swings 401\_300, 401\_600  
Modules 457\_005, 457\_102, 457\_103, 457\_106, 457\_107, 457\_205

**b. Assembly packs for climbing frames elements - Baupakete für Klettergerüst-Elemente - Packs de construction pour éléments de structures d'escalade**

Sub assemblies 194\_002, 194\_003, 194\_004, 194\_006, 194\_007, 194\_008, 194\_009, 194\_010, 194\_011, 194\_100, 194\_101, 194\_102, 194\_103, 194\_104, 194\_105, 194\_107, 194\_108, 194\_109, 194\_110, 194\_111, 194\_112, 194\_113, 194\_114, 194\_115, 194\_116, 194\_117, 194\_118, 194\_119, 194\_300, 194\_308, 194\_312, 194\_500, 194\_501, 194\_508, 194\_510, 194\_802, 194\_804, 194\_809, 194\_810, 194\_811, 194\_812

**c. Accessories and components for climbing frames - Zubehör und Komponenten für Klettergerüste - Accessoires et composants pour structures d'escalade**

Slides 324\_x00, 324\_100, 324\_200, 324\_300, 324\_400, 324\_500, 324\_600, 334\_x00, 334\_100, 334\_200, 334\_300, 334\_400, 334\_500, 334\_600  
Fireman's pole 201\_275  
Climbing 201\_060, 201\_273  
Imagination 201\_230, 201\_280, 201\_285, 201\_290, 201\_295, 202\_473, 450\_310, 450\_320, 450\_330  
Swinging 250\_001, 250\_013, 250\_025, 250\_034, 250\_053  
Functional 123\_220, 123\_222, 123\_230, 123\_232, 123\_234, 123\_236, 201\_115, 201\_220, 201\_250, 201\_260, 201\_270, 202\_620, 202\_621, 202\_622, 202\_623, 202\_624, 202\_625, 202\_626, 202\_627, 202\_628, 202\_629, 202\_824, 250\_060, 250\_065, 250\_070, 250\_075

## Applicable EU and UK directives, regulations and standards

### General directives

- EU Product Safety Regulation (GPSR 2023/988/EC)
- UK General Product Safety Regulations (GPSRs SI 2005/1803)
- EU Reach Directive 1907/2006
- EU Accessibility Act (EAA 2019/882)
- AfPS GS 2019:01 PAK

### Toy directives

- EU Toys Safety Directive (TSD 2009/48/EC)
- UK Toys Safety Regulations 2011 (TSR SI 2011/1881)

### Harmonised European and UK toy standard

- Safety of toys (EN 71)
  - Part 1: Mechanical and physical properties (prEN 71-1:2024)
  - Part 2: Flammability (EN 71-2:2020/prA1:2023)
  - Part 3: Migration of certain elements (EN 71-3:2019+A2:2024)
  - Part 8: Activity toys for domestic use (prEN 71-8:2024)

## Additional audits

### Test reports / Certificate:

TüV Rheinland Product Safety GmbH

### Prüfbericht / Zertifikat:

Am Grauen Stein, 51105 Köln, Germany

### Rapport d'essai / certificate:

Zertifikat: R 60010766, R 60024578

Prüfbericht: 21115718\_003/004/005, 21140630\_001/002

Dekra Automobil GmbH

Handwerkstraße 15, 70565 Stuttgart, Germany

Prüfbericht: 340331500\_55245585/13-2, 55247432.14-1, 55247432.14-2

Laboratoire National de métrologie et d'essais (LNE)

29 Avenue Roger Hennequin, 78197 Trappes Cedex, France

Revue documentaire: K080196

## Design

### Product image:

### Produktbild:

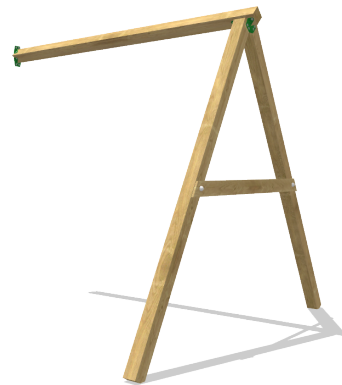
### Image du produit:

### Design Code:

0 e R l p e

### Production date:

14-04-2026



## Declaration

This declaration of conformity is issued solely under the responsibility of the manufacturer, who asserts that the aforementioned products comply with the applicable directives and harmonized standards, provided that installation, assembly, and maintenance are performed in accordance with the instructions supplied.

Diese Konformitätserklärung wird ausschließlich unter der Verantwortung des Herstellers ausgestellt, der erklärt, dass die genannten Produkte den geltenden Richtlinien und harmonisierten Standards entsprechen, vorausgesetzt, dass Installation, Montage und Wartung gemäß den bereitgestellten Anweisungen durchgeführt werden.

Cette déclaration de conformité est émise uniquement sous la responsabilité du fabricant, qui affirme que les produits mentionnés ci-dessus sont conformes aux directives applicables et aux normes harmonisées, à condition que l'installation, le montage et l'entretien soient réalisés conformément aux instructions fournies.

## Manufacturer details

### Jungle Gym B.V.

P.O. Box 75083

1070 AB Amsterdam

Netherlands

[www.jungle gym.com](http://www.jungle gym.com)

[info@jungle gym.com](mailto:info@jungle gym.com)

+31 85 44 44 100


# Jungle Gym

## BACKYARD PLAYGROUNDS

— since 1988 —

Amsterdam, January 13<sup>th</sup>, 2026

On behalf of the manufacturer  
**Jungle Gym B.V.**

  
Paul Schmit  
CEO