

STIGA

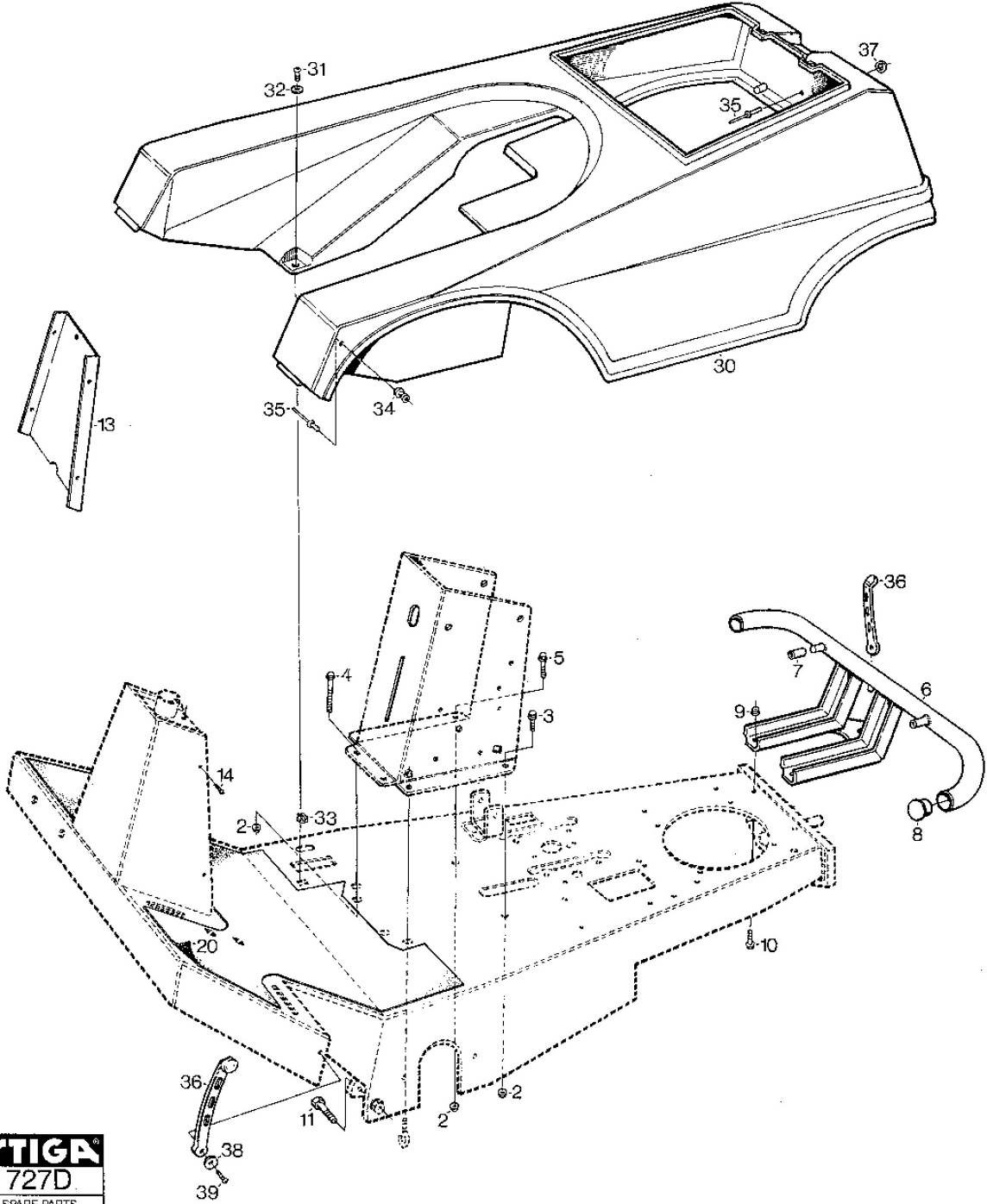
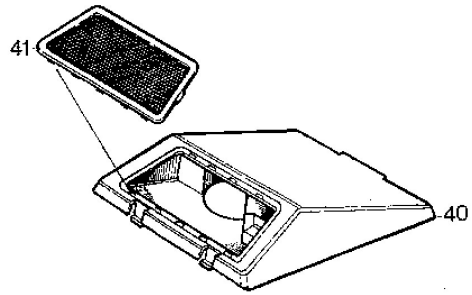
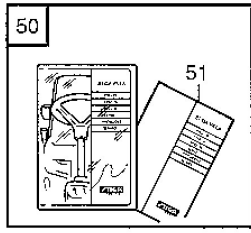
VILLA I CLASSIC (2003)

13-2855-26

Spare parts list **Reservdelar** **Repuestos** **Ersatzteile** **Pièces détachées** **Reserve onderdelen** **Catalogo ricambi**

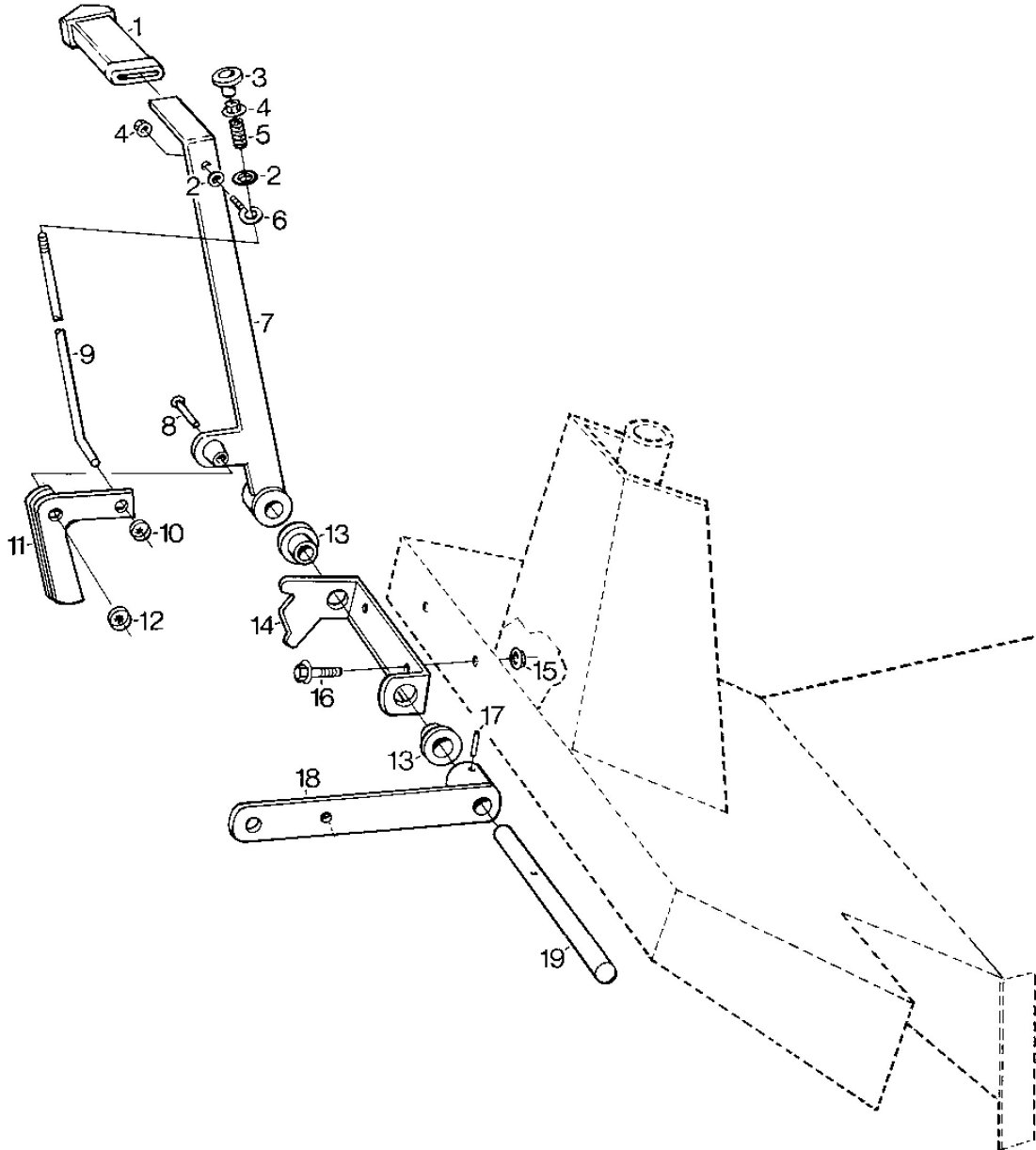
- Use ST. S.p.A. Genuine Spare Parts specified in the parts list for repair and/or replacement.
- The contents described in the parts list may change due to improvement.
- The drawings of the spare parts are only indicative And might Not represent the part in question exactly.
- The indications "right" - "left" - "front" - "rear" refer to the position of the operator when using the machine.
- When placing orders of parts for repair And/Or replacement, make sure that the illustrated parts list Is the one applying to the machine's year of manufacture, as shown on the identification plate attached to the machine.

All rights reserved. No part Of this material may be reproduced Or transmitted, in any form Or by any means, electronic Or mechanical, including photocopying, recording Or by any information storage And retrieval system, without permission in writing from ST. S.p.A.



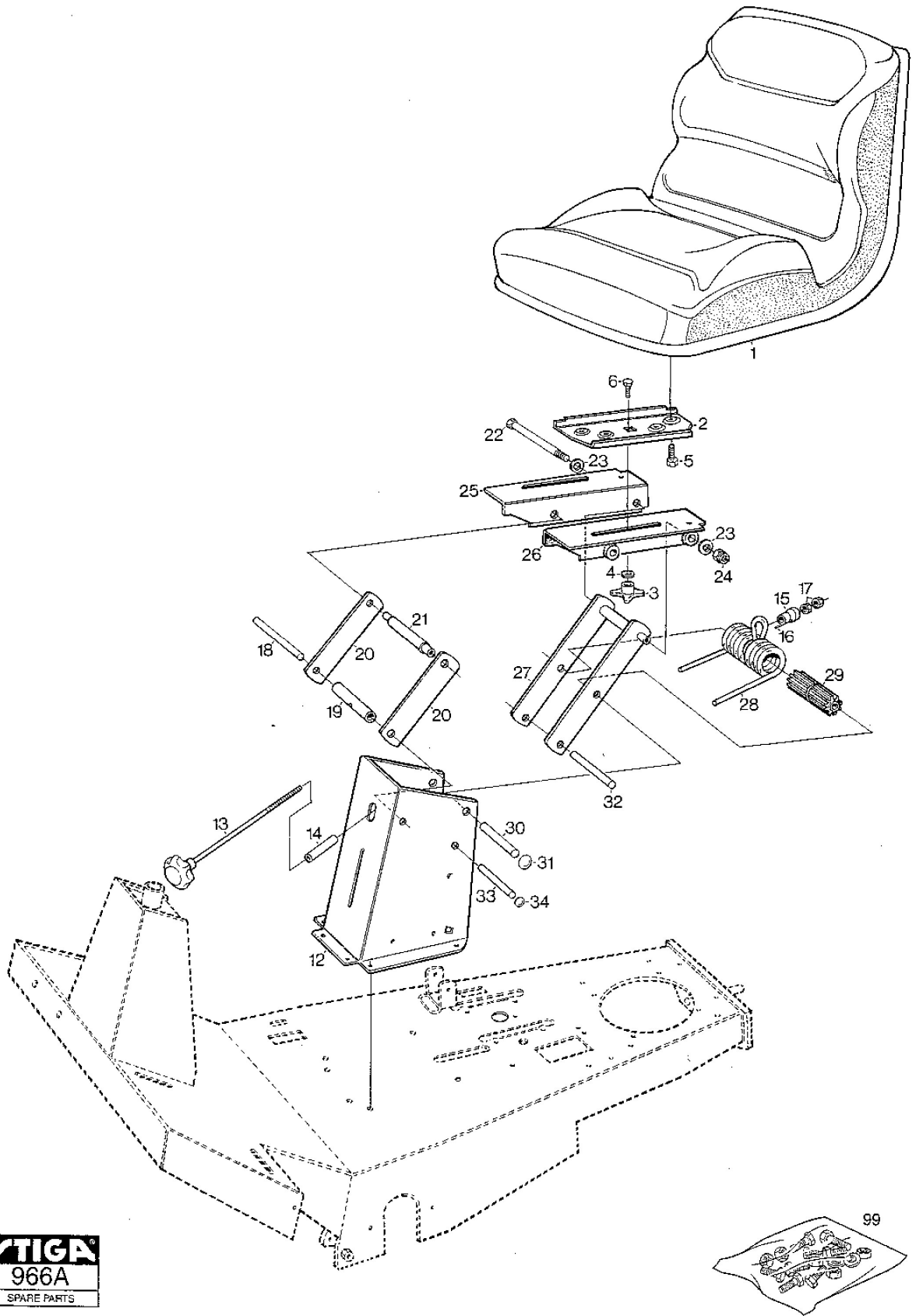
Frame Bodywork

Ref.nr.	Qty	Item number	Description	Notes	From	Up to
2	5	9739-0831-22	Nut			
3	3	9959-0816-16	Screw	L = 16 mm		
4	1	9997-0855-12	Screw	L = 55 mm		
5	1	9959-0825-16	Screw	L = 25 mm		
6	1	1134-1595-02	Tube			
7	2	1134-2849-01	Rubber Hose (30 Mm)			
8	2	9403-0015-70	Plug			
9	2	9739-0831-22	Nut			
10	2	9959-0816-16	Screw			
11	2	9997-1055-12	Screw			
13	1	1134-3799-01	Cover			
14	4	9849-8013-16	Screw			
20	1	1134-3819-01	Floor Mat			
30	1	1134-2856-01	Engine Hood Yellow			
31	1	9948-0616-16	Screw			
32	1	9699-0060-02	Washer			
33	1	1134-3643-01	Nut			
34	2	9405-0029-00	Knob			
35	3	9632-0516-00	Pop Rivet			
36	1	1134-9028-01	Rubber Strap (3 Pcs)	Sats 3 st/kit of 3		
37	1	9699-0054-02	Washer			
38	2	9699-0087-02	Washer			
39	2	9849-8013-16	Screw			
40	1	1134-2855-04	Engine Cover (Black)			
41	1	1134-2267-01	Guarding Net			
50	1	1134-3771-61	Bag W. Manuals Villa Classic			
51	1	8211-0209-10	Safety Regulations Ride-Ons			
51	1	8211-0210-09	Owner's Manual			
51	1	8211-2002-03	Warranty Card			
99	1	1134-3923-01	Label Kit			



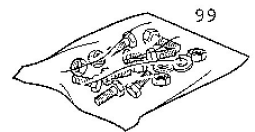
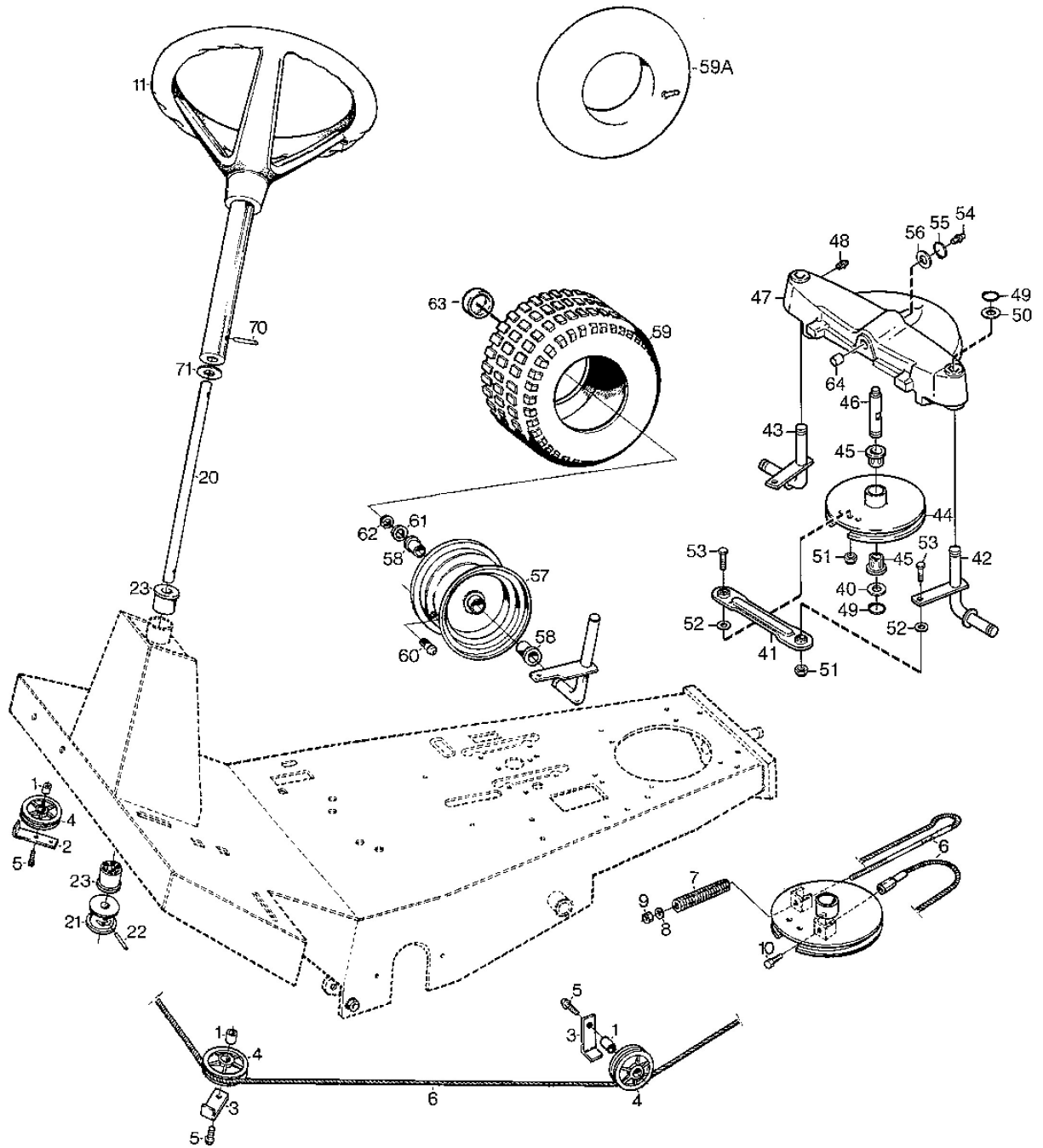
Manual Lifting Device

Ref.nr.	Qty	Item number	Description	Notes	From	Up to
0	1	1134-1437-02	Accessory Ricing Device			
1	1	9403-0110-01	Handle			
2	2	9699-0025-02	Washer			
3	1	1134-0583-00	Knob			
4	2	9739-0631-22	Nut			
5	1	1111-0053-00	Spring			
6	1	1134-1889-01	Eye Bolt			
7	1	1134-0859-03	Bar			
8	1	9646-0099-22	Rivet			
9	1	1134-0858-00	Push Rod			
10	1	9675-0008-02	Starlock			
11	1	1134-2911-01	Locking Pawl			
12	1	9675-0012-02	Locking washer			
13	2	1134-2684-01	Bearing			
14	1	1134-0536-00	Locking Plate			
15	2	9739-1031-22	Nut			
16	2	9959-1020-16	Screw			
17	2	9595-0258-00	Locating Pin			
18	1	1134-1604-01	Trippet			
19	1	1134-1884-01	Lifting Shaft			



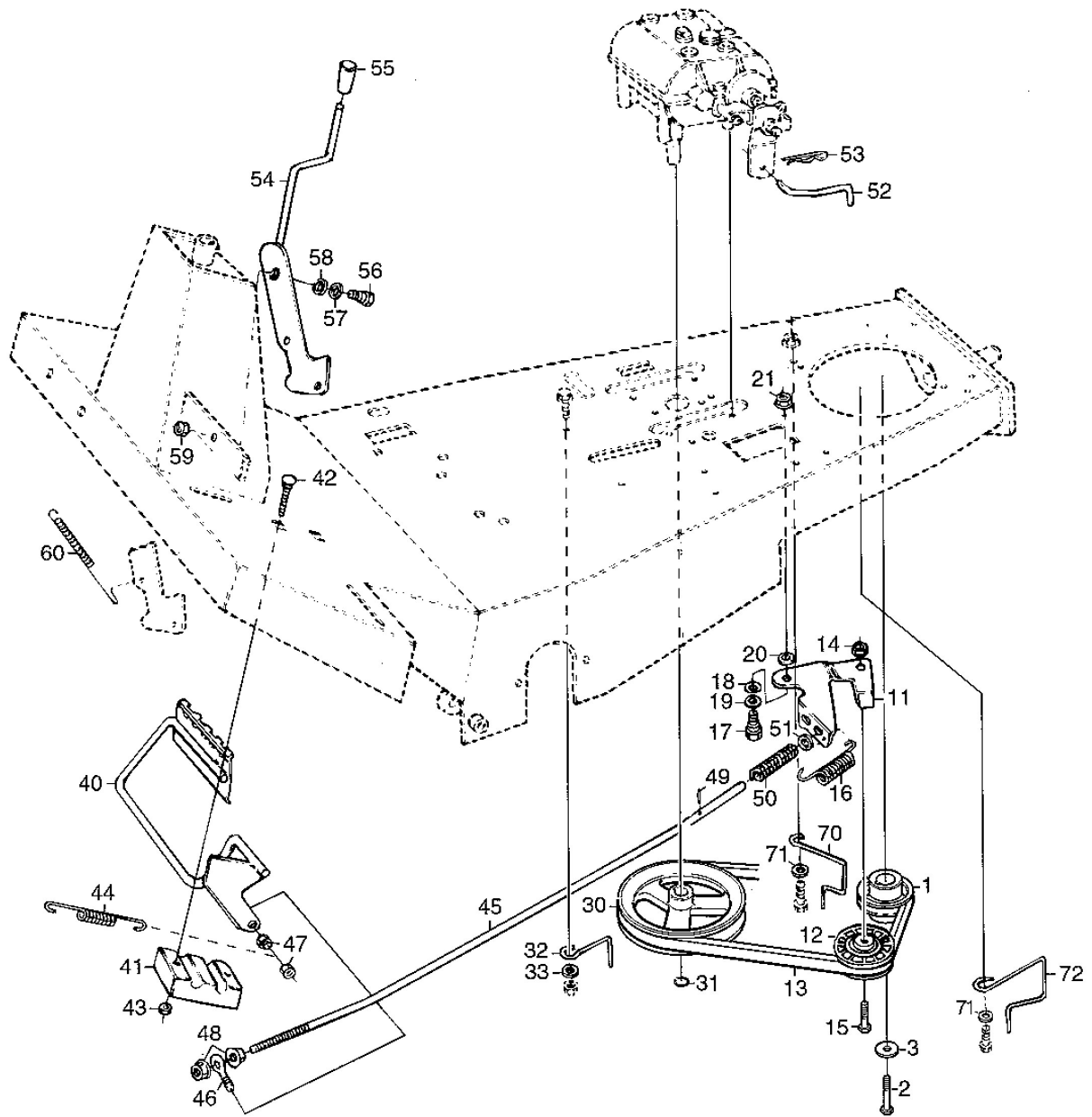
Seat

Ref.nr.	Qty	Item number	Description	Notes	From	Up to
1	1	1134-0800-06	Seat Sears Sa 1216 (9407-0003-01) 20			
2	2	1134-2961-01	Seat Adapter			
3	2	1134-1711-01	Knob			
4	2	9699-0062-02	Washer			
5	4	9988-3616-16	Screw			
6	2	9898-0820-16	Screw			
12	1	1134-3800-01	Seat Bracket-Yellow			
13	1	1134-2163-01	Rod			
14	1	1134-2166-01	Spacer			
15	1	1134-0019-00	Nut			
16	1	9595-0160-00	Locating Pin			
17	2	9799-0831-02	Nut			
18	1	1134-2847-01	Shaft			
19	1	1134-2846-01	Tube			
20	2	1134-1650-01	Tie Bar			
21	1	1134-3871-02	Pivoting Tube			
22	2	9997-0816-02	Screw			
23	4	9699-0062-02	Washer			
24	2	9747-0831-02	Lock Nut			
25	1	1134-3878-01	Seat Attachment-R.H.			
26	1	1134-3878-02	Seat Attachment-L.H.			
27	1	1134-3876-01	Spring			
28	1	1134-3879-01	Spring			
29	1	1134-1883-01	Axle			
30	1	1134-0022-00	Control Rod			
31	2	9672-0004-02	Starlock			
32	1	1134-0050-00	Seat Rod			
33	1	1134-2454-01	Shaft			
34	2	9672-0006-02	Lock washer			
99	1	1134-2371-05	Accessory Bag	Inkl. pos 2 - 6		



Steering

Ref.nr.	Qty	Item number	Description	Notes	From	Up to
1	4	1134-0041-01	Bushing			
2	1	1134-3022-01	Bracket			
3	3	1134-3022-01	Bracket			
4	2	1134-9025-01	Steering Pulley	Sats 2 st/kit of 2		
5	4	9942-1030-16	Screw			
6	1	1134-9023-01	Steering Wire			
7	1	1134-1310-01	Spring			
8	1	9699-0090-02	Washer			
9	1	9747-0831-02	Lock Nut			
10	1	9959-0816-16	Screw			
11	1	1134-2390-01	Steering wheel			
20	1	1134-1424-01	Steering Rod			
21	1	1134-1933-01	Steering Pulley			
22	1	9595-0262-00	Locating Pin			
23	2	1134-1901-01	Bearing			
40	1	1134-0341-01	Washer			
41	2	1134-3247-05	Tie Rod			
42	1	1134-5009-02	Stub Axle			
43	1	1134-5009-01	Right Stub Axle			
44	1	1134-1500-03	Steering Pulley			
45	1	1134-9024-01	Bearing	Sats 4 st/kit of 4		
46	1	1134-1583-01	Shaft For Steering Pulley			
47	1	1134-5012-01	Rear Axle			
48	2	9501-0500-00	Grease Dispenser			
49	3	9650-0020-04	Circlip			
50	2	9699-0088-02	Washer			
51	3	9747-0831-02	Lock Nut			
52	2	9699-0028-02	Washer			
53	2	9997-0825-16	Screw	L = 25 mm		
53	1	9997-0835-12	Screw	L = 35 mm		
54	1	9501-0500-00	Grease Dispenser			
55	1	9650-0020-04	Circlip			
56	1	9699-0088-02	Washer			
57	2	1134-4706-01	Rim			
58	4	137038009/0	Bushing			
59	2	9545-0117-00	Tyre	13 x 5.00-6		
60	2	9545-0500-00	Valve Assy.			
61	2	1134-0341-01	Washer			
62	2	9650-0020-04	Circlip			
63	2	1134-4344-01	Hub Cap Black			
64	1	1134-5030-01	Spacer			
70	1	9595-0262-00	Locating Pin			
71	1	9699-0103-02	Washer	0.5 mm		
71	1	9699-0114-02	Washer	1.0 mm		
99	1	1134-2371-05	Accessory Bag	Inkl. pos 70 - 71		

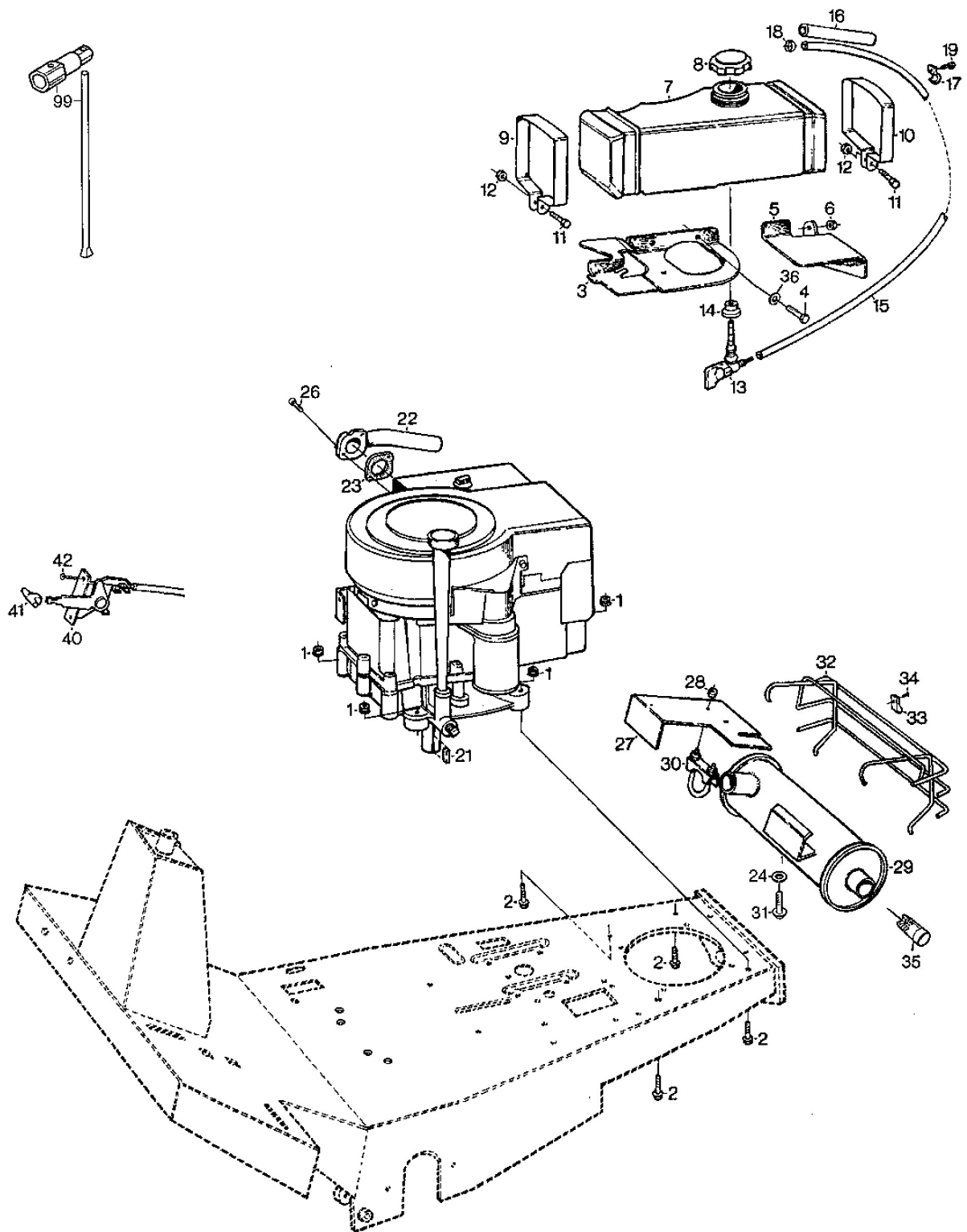


Clutch Brake

Ref.nr.	Qty	Item number	Description	Notes	From	Up to
1	1	1134-5005-01	Engine Belt Pulley			
2	1	9987-5332-16	Screw			
3	1	1134-5017-01	Washer			
11	1	1134-3832-01	Tension Arm			
12	1	1134-9027-01	Tension Roller (Black)			
13	1	1134-9008-01	V-Belt	Service code for belt: 9585-0050-00		
13	1	9585-0050-00	Drive Belt	Replaced by Service Code: 1134-9008-01		
14	1	9739-1031-22	Nut			
15	1	9997-1030-16	Screw			
16	1	1134-1949-01	Spring			
17	1	1134-0240-00	Screw			
18	1	9696-0013-01	Washer			
19	1	9699-0037-02	Washer			
20	1	9699-0090-02	Washer			
21	1	9739-0831-22	Nut			
30	1	1134-1849-01	Belt Pulley			
31	1	9650-0016-04	Circlip			
32	1	1134-1795-01	Belt Stirrup			
33	1	9699-0056-02	Washer			
40	1	1134-3801-01	Pedal			
41	1	1134-1927-01	Bearing			
42	2	9898-0635-12	Screw			
43	2	9739-0631-22	Nut			
44	1	1134-3633-01	Spring			
45	1	1134-3829-01	Control Rod			
46	1	1134-2138-01	Eye Bolt			
47	2	9747-0831-02	Lock Nut			
48	2	9739-1031-22	Nut			
49	1	9595-0208-00	Locating Pin			
50	1	1134-3817-01	Spring			
51	2	9699-0035-02	Washer			
52	1	1134-3809-01	Brake Rod			
53	1	9598-0002-02	Elastic Pin			
54	1	1134-3802-01	Parking Brake Lever			
55	1	1134-3808-01	Knob			
56	1	1134-0240-00	Screw			
57	1	9699-0069-02	Washer			
58	1	9694-0001-00	Washer			
59	1	9739-0831-22	Nut			
60	1	4231-0013-00	Spring			
70	1	1134-0139-01	Belt Guard			
71	2	9699-0056-02	Washer			
72	1	1134-3927-01	Belt Guide			

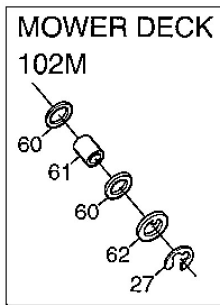
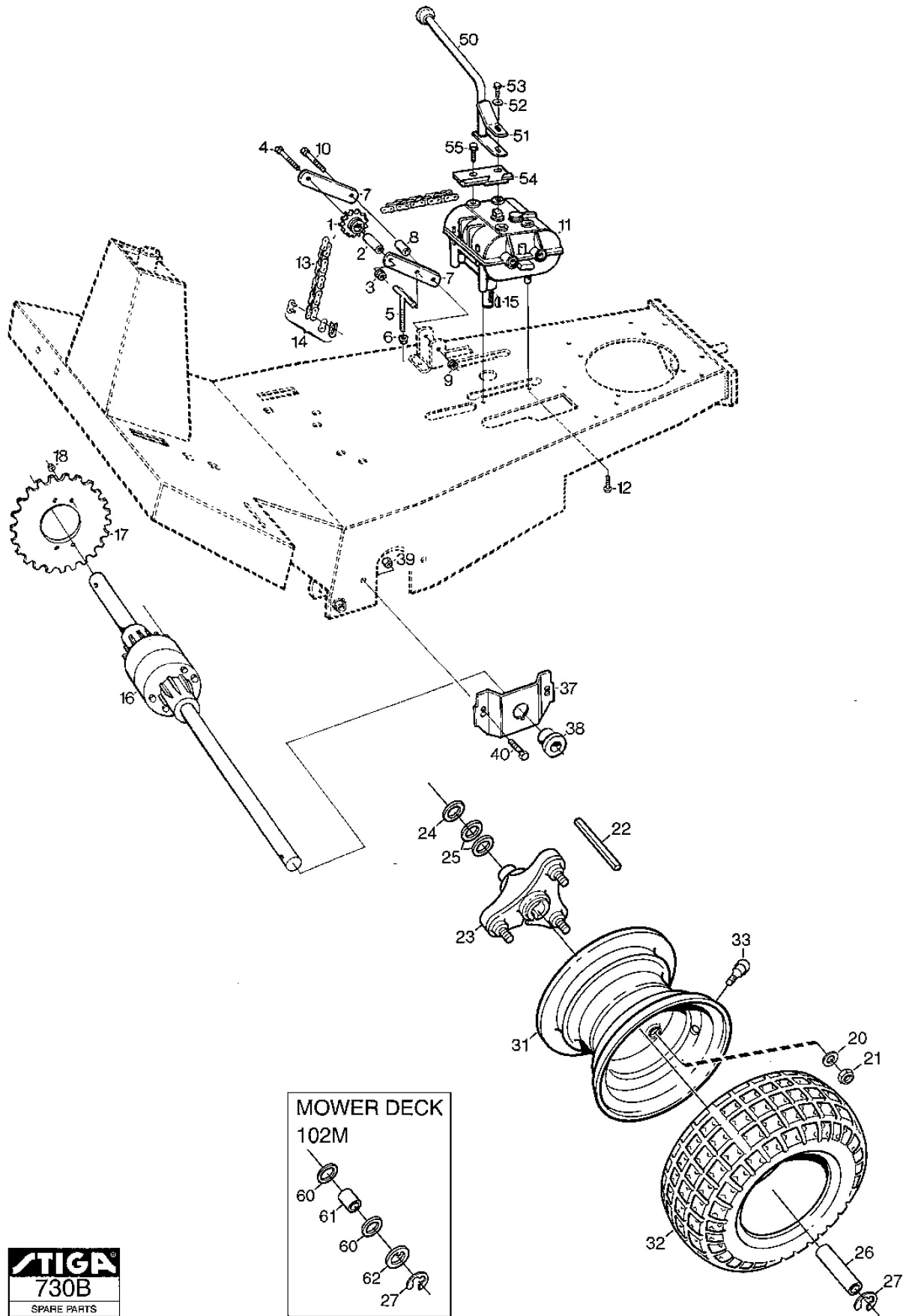
Electrical System

Ref.nr.	Qty	Item number	Description	Notes	From	Up to
1	1	1134-3251-02	Bracket			
2	1	9959-0612-16	Screw	L = 12 mm		
3	2	9739-0631-22	Nut			
4	1	1134-3156-02	Switch			
5	1	9997-0625-16	Screw	L = 30 mm		
12	1	1134-3204-01	Cable Holder			
13	1	1131-1455-00	Battery Cable (-)			
14	1	1134-0234-01	Battery Cable (+)			
15	1	1134-2310-01	Guard Cap (+)			
16	1	1134-1594-01	Panel			
17	1	1134-1814-01	Starter Switch Assy.			
18	1	1134-2853-01	Washer			
19	1	1134-2852-01	Nut			
20	1	1134-2848-01	Ignition Key			
21	1	1134-1922-02	Battery Plate			
22	1	1134-4985-01	Harness (Villa Classic, Senat. Geni)			
23	1	1134-3623-02	Interlock Module			
24	1	1134-2962-01	Solenoid			
25	2	9794-5131-02	Nut			
26	4	9849-8009-16	Screw			
27	1	9942-0612-16	Screw			
28	2	9739-0631-22	Nut			
29	2	9959-0612-16	Screw			
30	1	1134-4804-01	Battery			
31	1	1134-2333-01	Battery Pad			
32	1	9400-0064-02	Battery Holder			
34	2	9699-0060-02	Washer			
35	1	9747-0631-02	Lock Nut			
36	1	9795-3531-02	Nut			
45	1	1111-2045-01	Holder			
46	2	9849-8006-16	Screw			



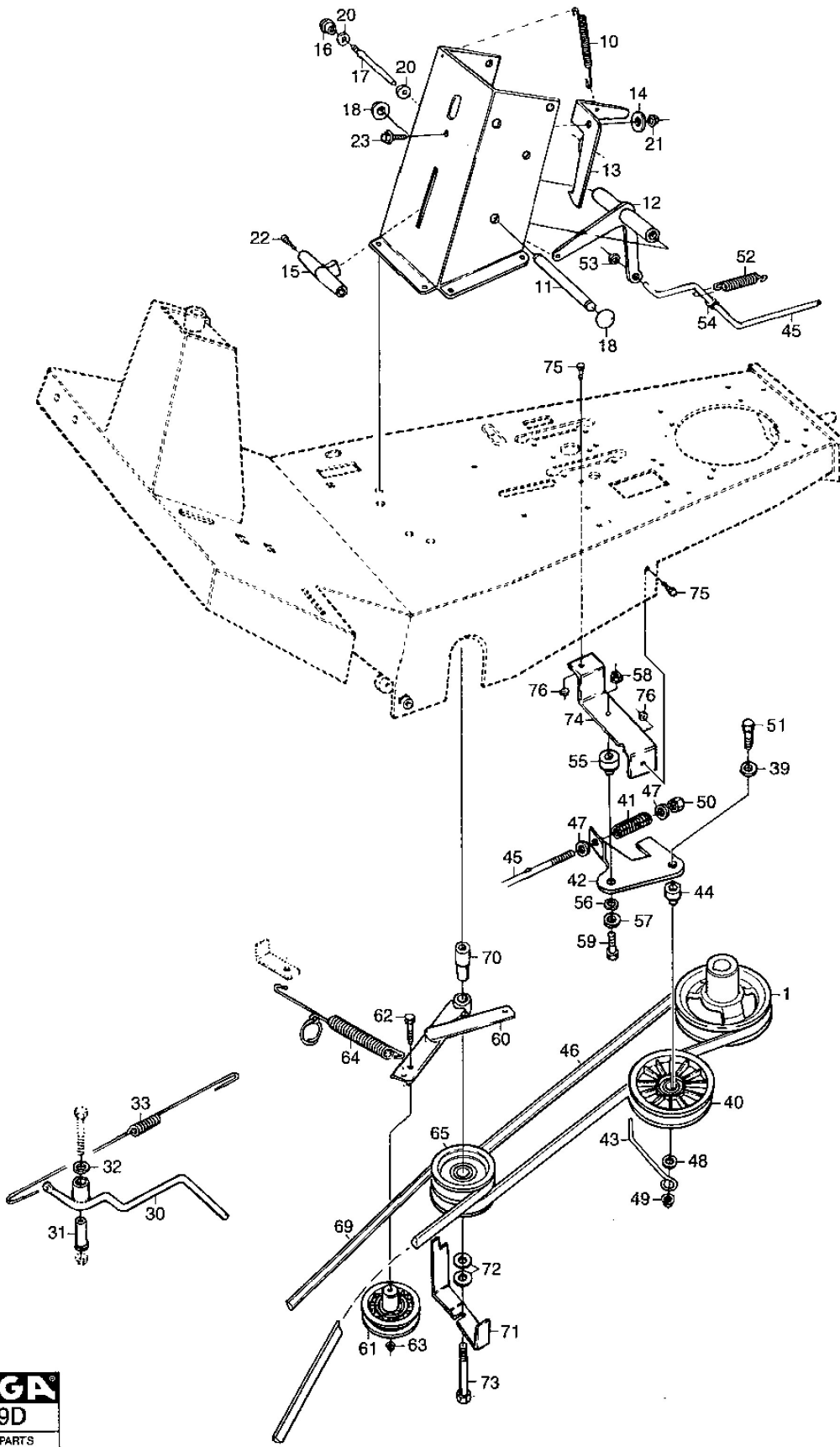
Engine

Ref.nr.	Qty	Item number	Description	Notes	From	Up to
1	4	9747-0831-02	Lock Nut			
2	4	9997-0840-16	Screw			
3	1	9500-9915-01	Tank Bracket-Front			
4	2	9931-3625-16	Screw			
5	1	9500-9916-01	Tank Bracket-Rear			
6	2	9795-3631-02	Nut			
7	1	1134-3582-01	Fuel Tank			
8	1	1134-2877-03	Fuel Tank Cap	Replacing code 125795001/1		
8	1	125795001/1	Cap			
9	1	1134-3586-01	Strap,Short			
10	1	1134-3587-01	Strap,Long			
11	2	9948-0630-16	Screw			
12	2	9747-0631-02	Lock Nut			
13	1	1134-3224-01	Fuel Shut-Off Valve			
14	1	1134-3225-01	Grommet			
15	1	1134-2975-01	Fuel Tube			
16	1	9500-9917-01	Heat Guard			
17	2	9578-0010-00	Cable Clip			
18	2	9578-0023-02	Hose Clamp			
19	2	9943-0510-16	Screw			
21	1	9600-0251-01	Key			
22	1	1134-2350-01	Exhaust Pipe			
23	1	1134-0433-00	Gasket			
24	1	9699-0056-02	Washer			
26	2	1134-4930-01	Screw			
27	1	1134-2394-01	Heat Guard			
28	2	9739-0831-22	Nut			
29	1	1134-4954-01	Muffler			
30	1	9578-0011-00	Clamp			
31	1	9959-0820-16	Screw			
32	1	1134-3724-01	Guard			
33	1	9578-0022-00	Clamp			
34	1	9842-0001-16	Screw			
35	1	1134-4955-01	Muffler Insert			
36	4	9699-0028-02	Washer			
40	1	1134-1975-01	Throttle Cable			
41	1	9403-0035-10	Knob			
42	2	9849-8009-16	Screw			
99	1	1111-9029-02	Spark Plug Wrench (5/8 + 21Mm)			



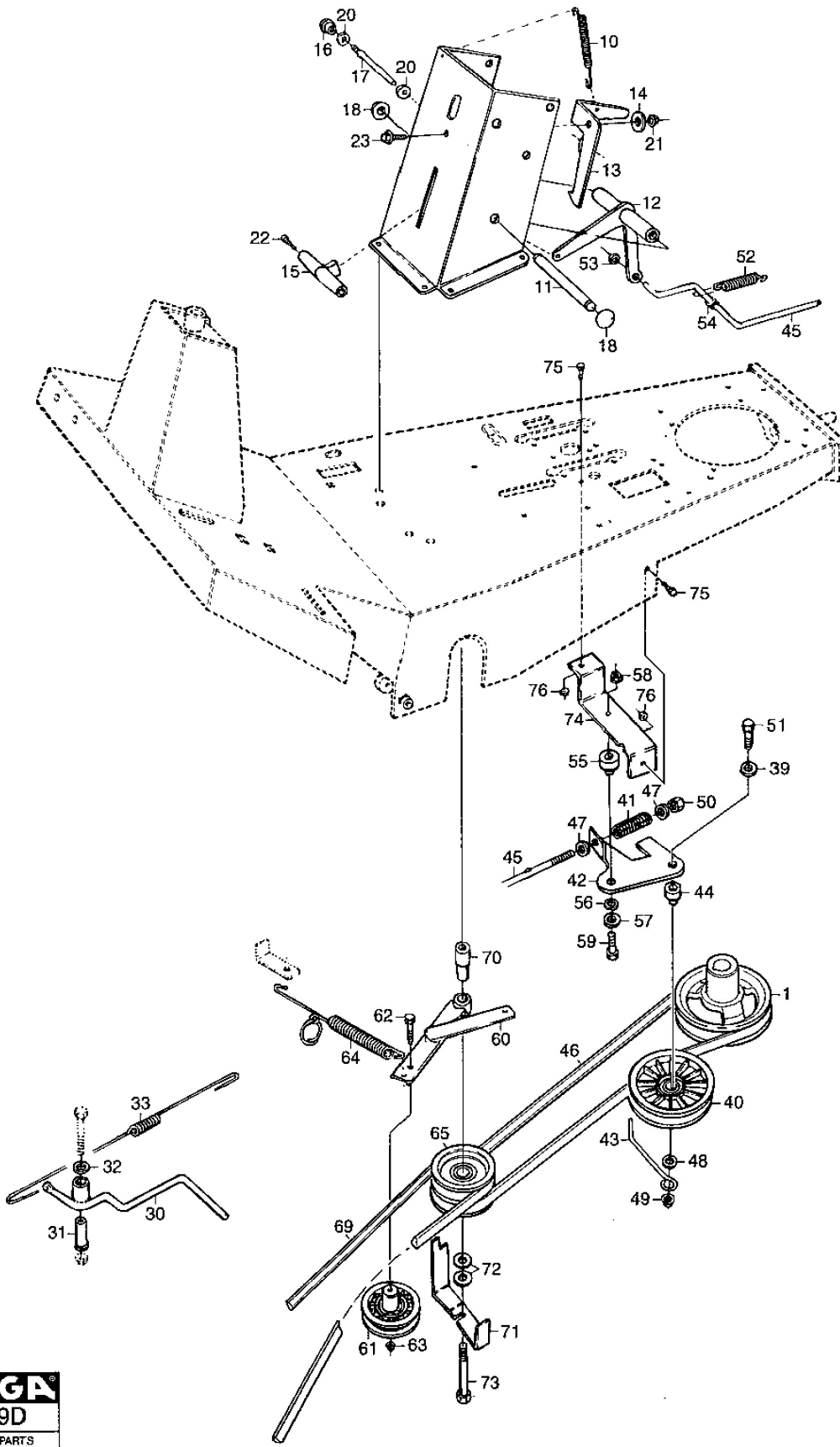
Transmission

Ref.nr.	Qty	Item number	Description	Notes	From	Up to
1	1	1134-3820-01	Sprocket			
2	1	1134-3823-01	Spacer			
3	1	9739-0831-22	Nut			
4	1	9997-0855-12	Screw			
5	1	1134-1942-01	Screw			
6	1	9747-0831-02	Lock Nut			
7	2	1134-1561-01	Lever			
8	1	1134-3823-01	Spacer			
9	1	9739-0831-22	Nut			
10	1	9997-0855-12	Screw			
11	1	9500-9949-00	Gear Box 781B	19	Peerless 781B	
12	4	9988-3619-16	Screw			
13	1	9589-0008-02	Chain w. chain lock			
14	1	9589-0504-00	Chain Fastener			
15	1	9600-0050-00	Key			
16	1	1134-5014-01	Differential		Peerless 100-209	
17	1	1134-1691-02	Sprocket			
18	4	9743-3621-32	Nut			
20	6	9699-0035-02	Washer			
21	6	9747-1031-02	Lock Nut			
22	2	1134-2471-03	Key			
23	2	1134-4844-02	Wheel Hub Assy			
24	2	1134-0341-01	Washer			
25	4	9699-0042-02	Washer			
26	2	1134-5015-01	Spacer Tube		L = 86 mm	
27	2	9653-0001-04	Lock Ring			
31	2	1134-4558-01	Rim			
32	2	9545-0116-00	Tyre		16 x 7.50-8	
33	2	9545-0500-00	Valve Assy.			
37	2	1134-1876-01	Rear Axle Mounting			
38	2	1134-1875-01	Bushing			
39	4	9739-0831-22	Nut			
40	4	9959-0820-16	Screw			
50	1	1134-1925-02	Gear Shifter			
51	1	1134-1981-01	Shift Lock			
52	1	9699-0060-02	Washer			
53	1	9987-5016-16	Screw			
54	1	1134-1916-01	Stop Plate			
55	2	9945-0816-16	Screw			
60	4	1134-0341-01	Washer			
61	2	1134-5015-02	Spacer Tube		L = 26.5 mm	
62	2	1134-4981-01	Washer			



PTO

Ref.nr.	Qty	Item number	Description	Notes	From	Up to
1	1	1134-4999-01	Engine Belt Pulley			
10	1	1131-1497-01	Brake Spring			
11	1	1134-0022-00	Control Rod			
12	1	1134-0027-01	Control Lever			
13	1	1134-2453-01	Locking Pawl			
14	1	1134-0143-00	Washer			
15	1	1134-0153-00	Handle Gear Shifter			
16	1	1134-0583-00	Knob			
17	1	1134-1972-01	Disengaging Lever			
18	2	9672-0004-02	Starlock			
20	2	9699-0025-02	Washer			
21	1	9739-0831-22	Nut			
22	1	9847-8016-16	Screw			
23	1	9959-0820-16	Screw			
30	1	1134-3512-01	Brake Lever			
31	1	1134-3510-01	Spacer			
32	1	9699-0056-02	Washer			
33	1	1134-3443-01	Brake Spring			
39	1	9677-0009-02	Washer			
40	1	1134-3053-01	Tension Roller			
41	1	1134-1023-00	Brake Spring			
42	1	1134-1438-02	Tensioning Arm			
43	1	1134-1647-01	Belt Stirrup			
44	1	1134-1888-02	Spacer			
45	1	1134-1935-01	Link Rod			
46	1	1134-9010-01	V-Belt	Replaced by Service Belt: 1134-9089-01		
46	1	9585-0141-01	V-Belt			
47	2	9699-0028-02	Washer			
48	1	9699-0062-02	Washer			
49	1	9739-0831-22	Nut			
50	1	9747-0831-02	Lock Nut			
51	1	9997-0845-12	Screw			
52	1	1134-3974-01	Spring			
53	1	9675-0011-00	Starlock			
54	1	9699-0090-02	Washer			
55	1	1134-1838-01	Tension Arm Bracket			
56	1	9696-0013-01	Washer			
57	1	9699-0056-02	Washer			
58	1	9739-0831-22	Nut			
59	1	9997-0855-12	Screw			
60	1	1134-1866-01	Tensioning Arm Compl			
61	1	1134-3043-01	Tension Roller			
62	1	9997-1050-16	Screw			
63	1	9739-1031-22	Nut			
64	1	1134-1322-01	Tensioning Wheel Spring			
65	1	1134-1486-01	Double V-Belt Pulley			
69	1	1134-9031-01	V-Belt	Service code for Belt: 9585-0072-00		



PTO

Ref.nr.	Qty	Item number	Description	Notes	From	Up to
69	1	9585-0072-00	Drive Belt	Replaced by Service Code: 1134-9031-01		
70	1	1134-1839-01	Shaft			
71	1	1134-1569-01	Belt Guide			
72	2	9699-0035-02	Washer			
73	1	9997-1080-12	Screw			
74	1	1134-3783-01	Bracket			
75	2	9959-0816-16	Screw			
76	2	9739-0831-22	Nut			